

RIGHT ANGLE ANGLISSIMO PLUGS



One plug, eight cable outlets

The Anglissimo plug is an eight in-one plug that can be adapted by the user to all space constraints. You can choose by yourself the best cable outlet need for your application even after the soldering process.

This new elbow connector design allows to adjust and position the connector in an efficient way in order to prevent cable snagging.

Each connector can be orientated during its assembly and enables 8 positions. The connector then remains securely positioned in its orientation.

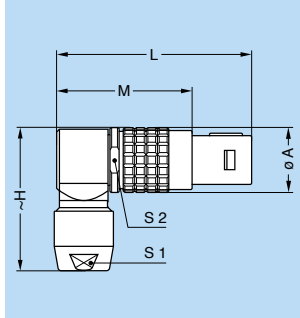
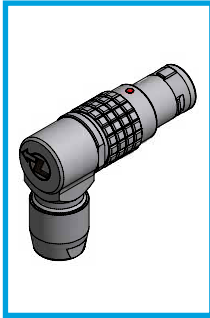
Features:

- 8 in 1 plug
- Cable clarity
- Clean design
- Reduce operating failures caused by stressed cables



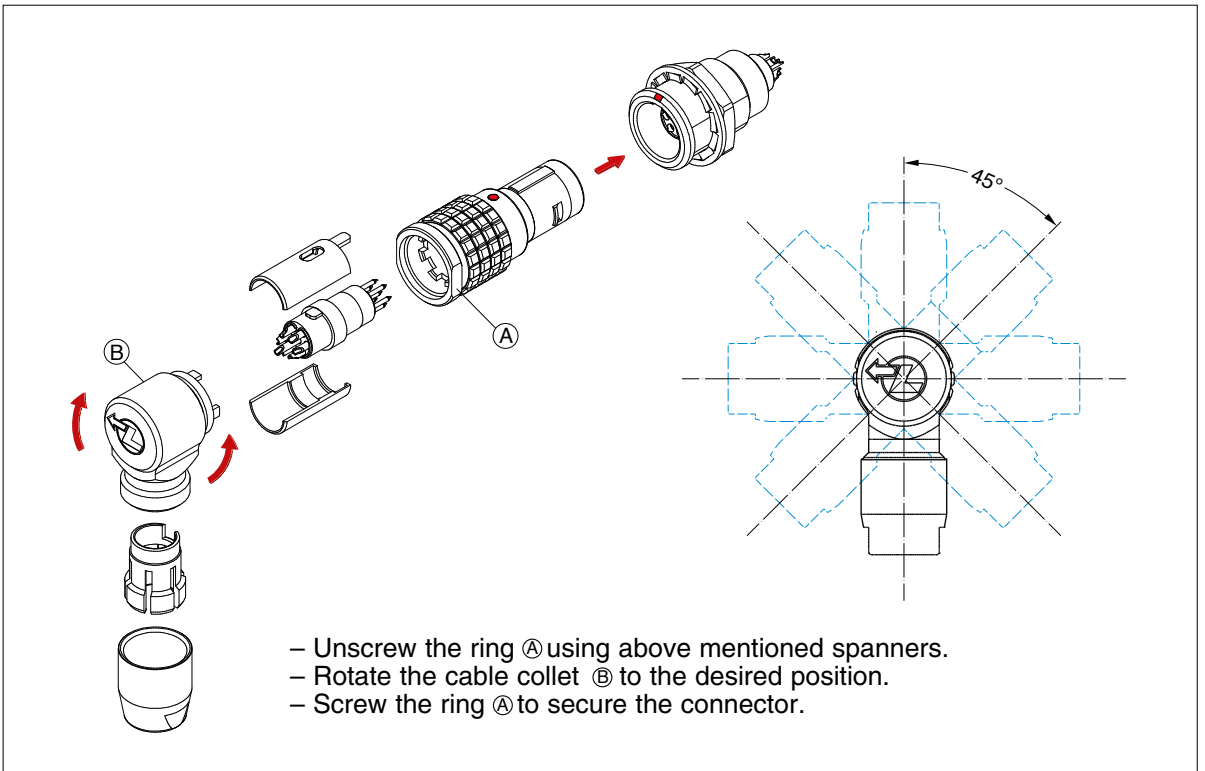
Model

FS● Adjustable right angle plug



Reference		Dimensions (mm)						Spanner part number
Model	Series	A	H	L	M	S1	S2	
FS●	00	8.0	18.1	24.8	16.8	5	7	DCP.91.FSG.TN
FS●	0B	10.0	22.4	30.3	20.3	7	9	DCP.91.FSG.TN
FS●	1B	12.0	26.4	36.5	25.5	9	11	DCP.91.FSG.TN
FS●	2B	16.5	34.5	44.0	32.0	12	15	DCP.91.FSG.TN

Note: ● = alignment key.
See unipole-multipole catalogue.



For insert types and collet sizes see unipole-multipole catalogue.

LEMO HEADQUARTERS

SWITZERLAND
LEMO SA
Chemin des Champs-Courbes 28 - P.O. Box 194 - CH-1024 Ecublens
Tel. (+41 21) 695 16 00 - e-mail: info@lemo.com

www.lemo.com

Product safety notice & disclaimers:

Please read and follow all instructions specified on <https://www.lemo.com/en/about-lemo/product-safety-notice-and-disclaimers>