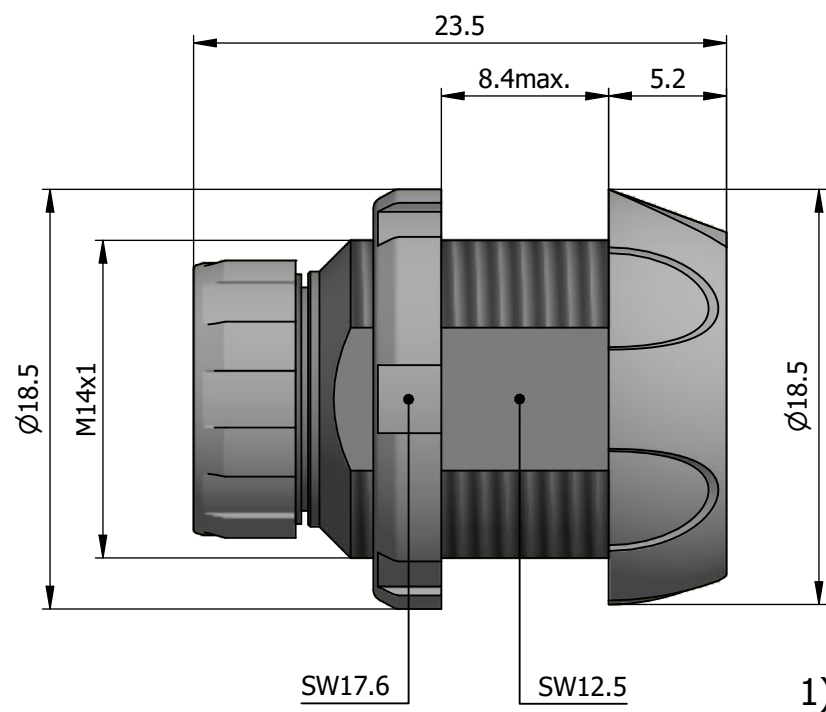
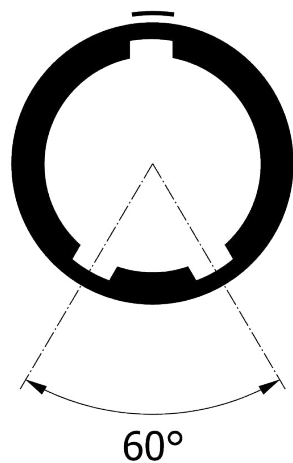
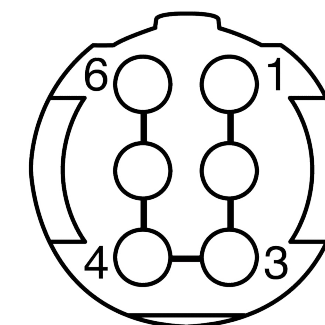


All dimensions are in millimeters (mm)

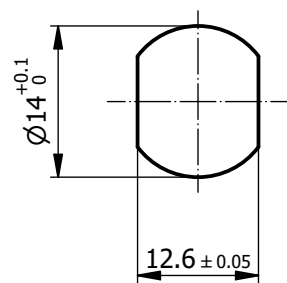
Alignment Key  
Front View



Insert Configuration  
Rear View



Recommended Panel Cut-Out



Mounting nut torque (Nm)  
Plastic shell = 1.0

**Note:**

1) This picture is generic and for illustrative purposes only, and may show different keying, materials, colour, finish, and contact configuration. Minor shape or feature variations to actual item may be present.

All additional information are documented on the datasheet (See below link or QR Code)  
[www.lemo.com/pdf/SLP.M06.NLPN.pdf](http://www.lemo.com/pdf/SLP.M06.NLPN.pdf)

Model  
Alignment Key  
Insert Config.  
Outershell Color  
Insulator  
Contact  
Front Nut Color  
**SLP.M06.NLPN**

Datasheet



**Fixed socket, nut fixing**  
Series SP



Redel SA  
Rue du canal 2  
1450 Ste-Croix - SWITZERLAND

Tel. (+41 24) 455 25 00  
Fax. (+41 24) 455 25 01

CD

Drawn	08.06.2023	MARI / MARI
Checked	08.06.2023	OBAR
Modified	00	08.06.2023 / MARI
DO NOT SCALE DRAWING		

**SLP.M06.NLPN**