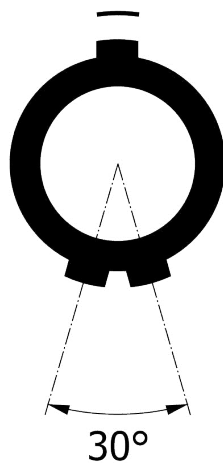
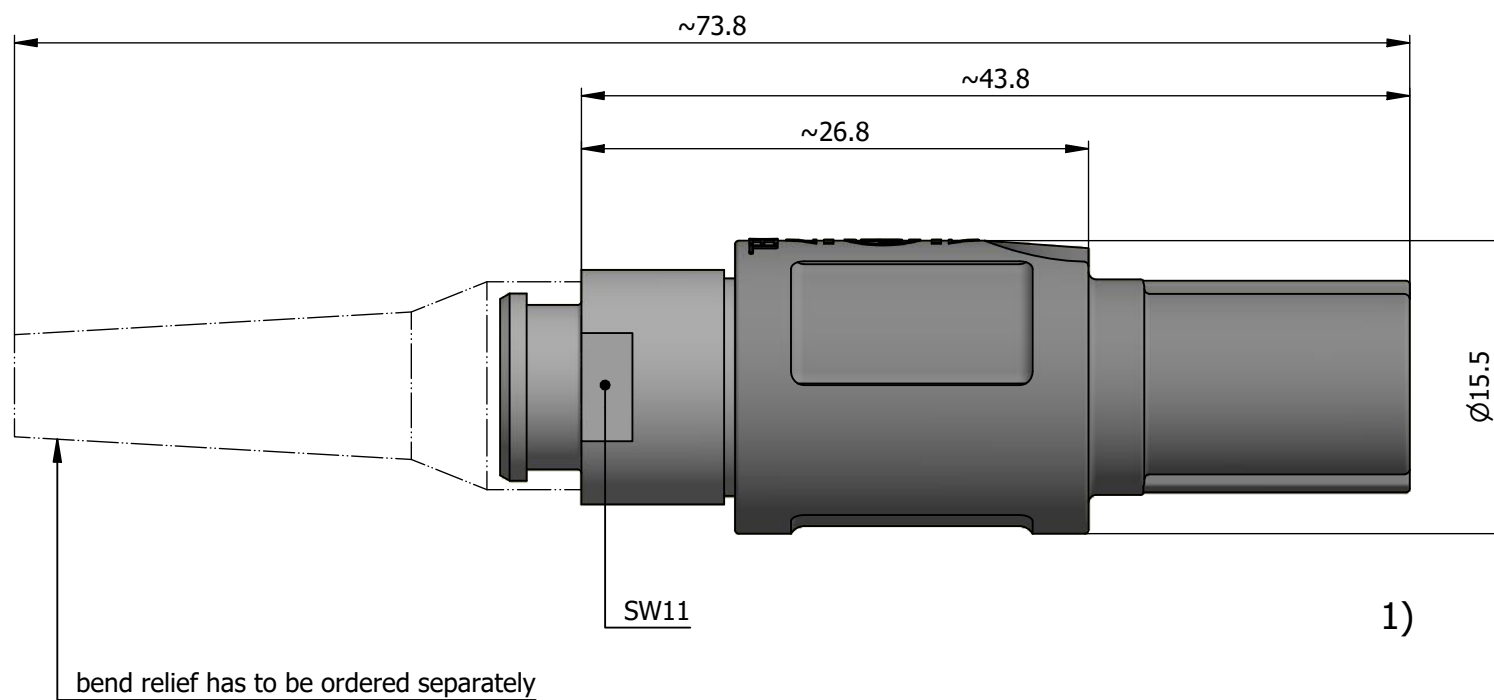
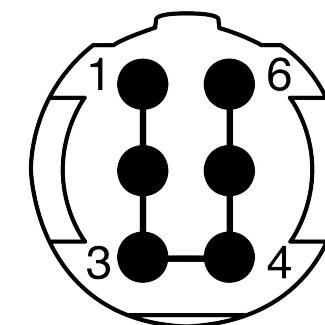


All dimensions are in millimeters (mm)

Alignment Key  
Front View



Insert Configuration  
Rear View



**Note:**

1) This picture is generic and for illustrative purposes only, and may show different keying, materials, colour, finish, and contact configuration. Minor shape or feature variations to actual item may be present.

All additional information are documented on the datasheet (See below link or QR Code)  
[www.lemo.com/pdf/SAN.M06.GLA.6GZ.pdf](http://www.lemo.com/pdf/SAN.M06.GLA.6GZ.pdf)

Model  
SAN . M06 . GLA . 6GZ

Alignment Key

Insert Config.

Outershell Color  
Insulator  
Contact

Collet Size  
Collet Nut Color  
Variant

Datasheet



**Straight plug, cable collet and nut for fitting a bend relief**

SP Series



Redel SA  
Rue du canal 2  
1450 Ste-Croix - SWITZERLAND

Tel. (+41 24) 455 25 00  
Fax. (+41 24) 455 25 01

CD

Drawn	26.08.2022	MARI / MARI
Checked	26.08.2022	OBAR
Modified	00	26.08.2022 / MARI
DO NOT SCALE DRAWING		

**SAN.M06.GLA.6GZ**