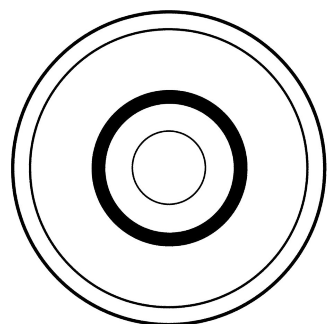
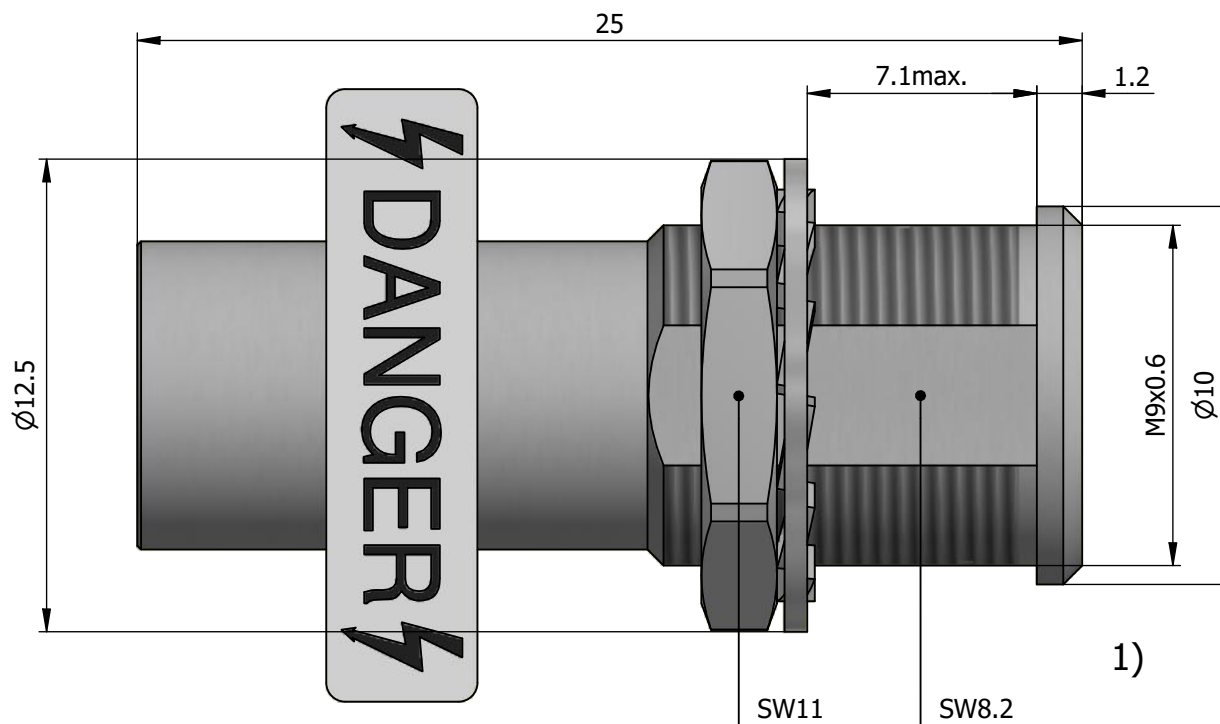
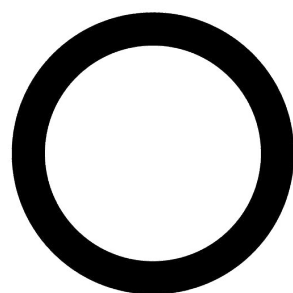


All dimensions are in millimeters (mm)

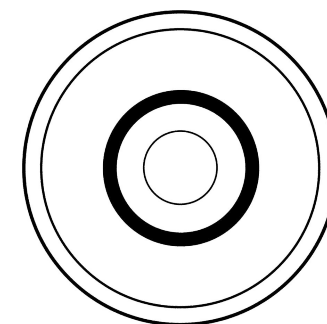
Insert Configuration
Front View



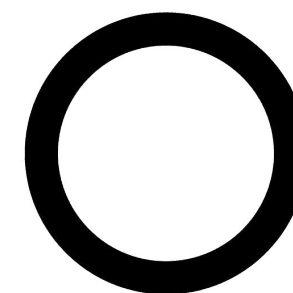
Alignment Key
Front View



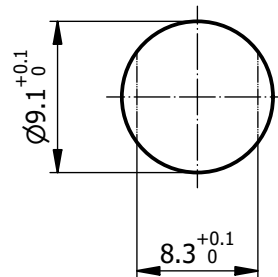
Insert Configuration
Rear View



Alignment Key
Rear View



Recommended Panel Cut-Out



Mounting nut torque (Nm)
Metal shell = 2.5
Plastic shell = 0.4

Note:

1) This picture is generic and for illustrative purposes only, and may show different keying, materials, colour, finish, and contact configuration. Minor shape or feature variations to actual item may be present.

All additional information are documented on the datasheet (See below link or QR Code)
www.lemo.com/pdf/RAD.OS.403.CLM.pdf

Model: RAD
Series: OS
Insert Config.: 403
Housing: CLM
Insulator: CLM
Contact: CLM
Variant: CLM



Fixed coupler, nut fixing
Series OS

LEMO
LEMO SA
Chemin des Champs-Courbes 28
1024 Ecublens - SWITZERLAND

Tel. (+41 21) 695 16 00
email : info@lemo.com
www.lemo.com

CD

Drawn	14.06.2021	FNI / OBAR
Checked	28.06.2021	OBAR
Modified	00	28.06.2021 / MARI
DO NOT SCALE DRAWING		

RAD.OS.403.CLM