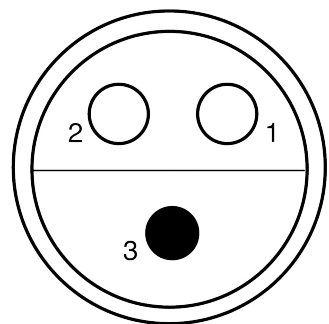
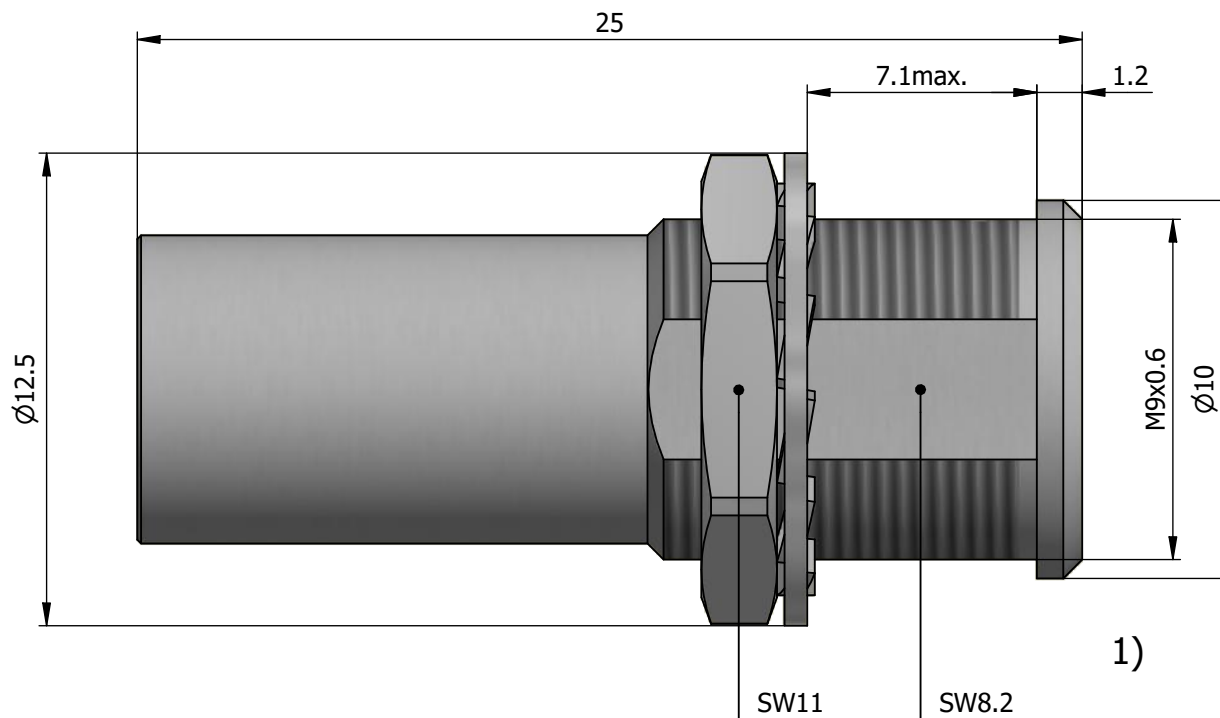
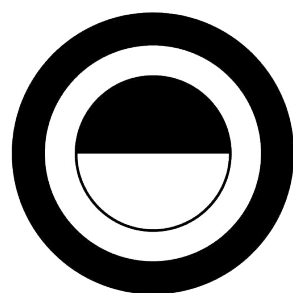


All dimensions are in millimeters (mm)

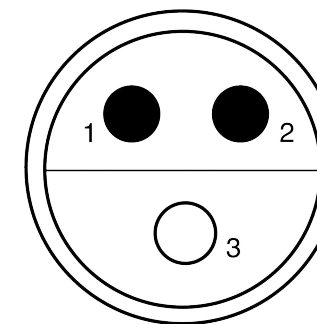
Insert Configuration Front View



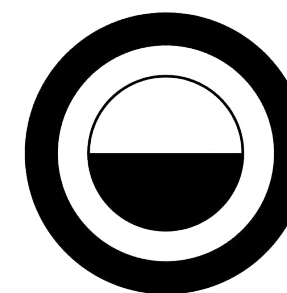
Alignment Key Front View



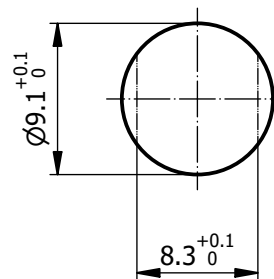
Insert Configuration Rear View



Alignment Key Rear View



Recommended Panel Cut-Out



Mounting nut torque (Nm)
Metal shell = 2.5

Note:

1) This picture is generic and for illustrative purposes only, and may show different keying, materials, colour, finish, and contact configuration. Minor shape or feature variations to actual item may be present.

All additional information are documented on the datasheet (See below link or QR Code)
www.lemo.com/pdf/RAD.OS.303.CLL.pdf

Model Series Insert Config. Housing Insulator Contact Variant
RAD.OS.303.CLL

Datasheet



Fixed coupler, nut fixing

Series 0S

LEMO LEMO SA
Chemin des Champs-Courbes 28
1024 Ecublens - SWITZERLAND

Tel. (+41 21) 695 16 00
email : info@lemo.com
www.lemo.com

CD

Drawn	23.06.2022	MARI / MARI
Checked	23.06.2022	OBAR
Modified	00	23.06.2022 / MARI
DO NOT SCALE DRAWING		

RAD.OS.303.CLL