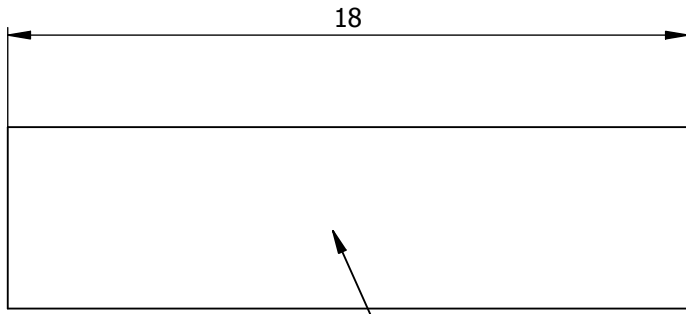
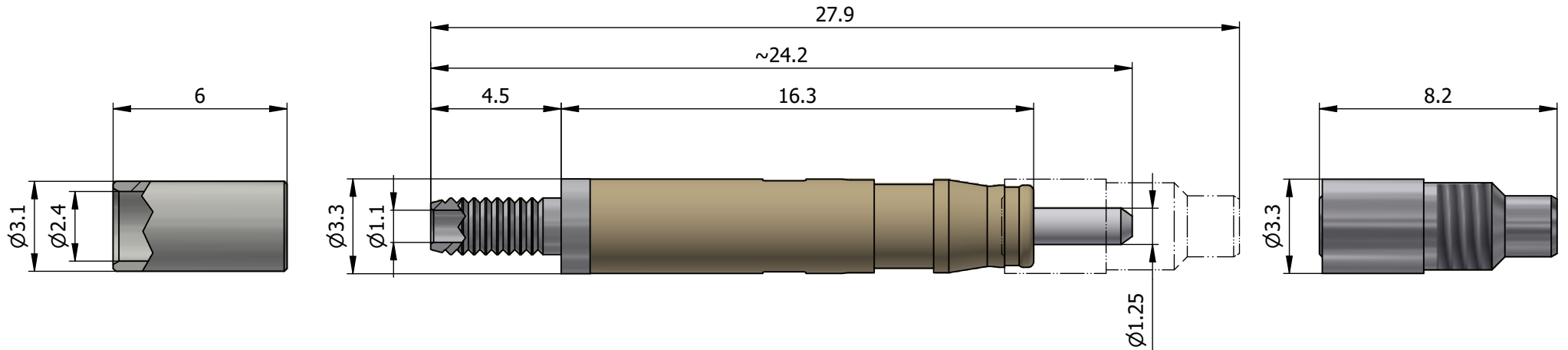
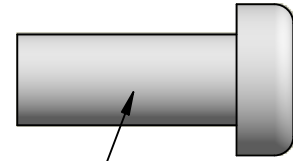


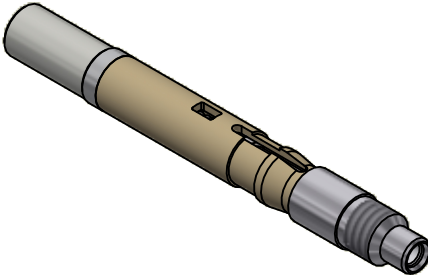
All dimensions are in millimeters (mm)



Heatshrink



Protection cap



All additional information are documented on the datasheet (See below link or QR Code)
www.lemo.com/pdf/PSS.F7.126.LCE23.pdf

<p>Datasheet</p> 	<p>Female fiber optic contact for tight jacket cable, ferrule bore $\varnothing 126\mu\text{m}$</p> <p>Type F7</p>		<p>Drawn 12.09.2023 MARI/OBAR</p>
			<p>Checked 12.09.2023 OBAR</p>
			<p>Modified 00 12.09.2023/MARI</p>
	 <p>DO NOT SCALE DRAWING</p>		
 <p>LEMO SA Chemin des Champs-Courbes 28 1024 Ecublens - SWITZERLAND</p>		<p>Tel. (+41) 21 695 16 00 email : info@lemo.com www.lemo.com</p>	<p>CD</p>
			<p>PSS.F7.126.LCE23</p>