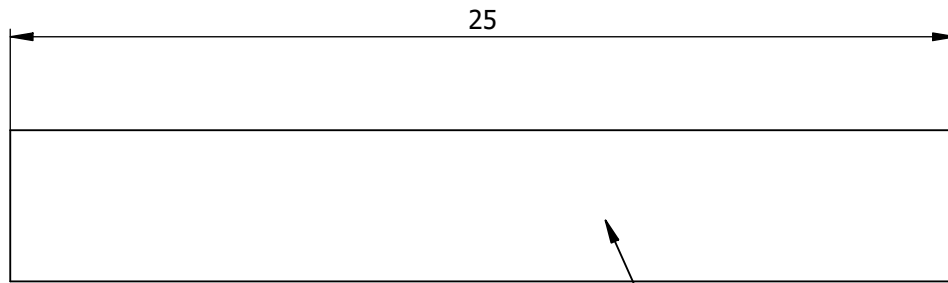
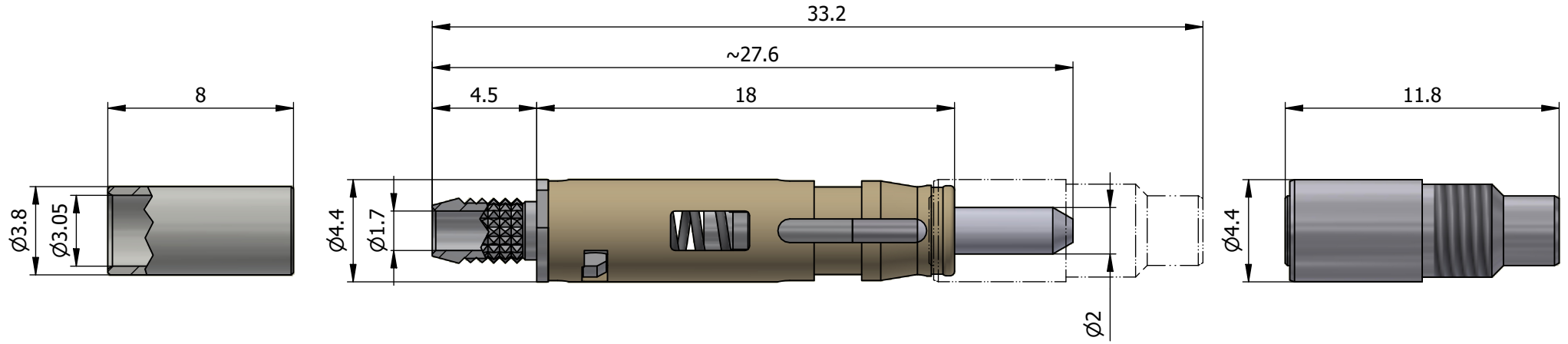
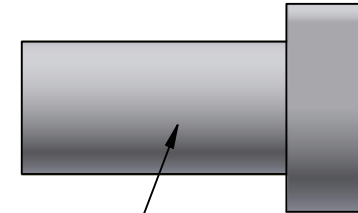


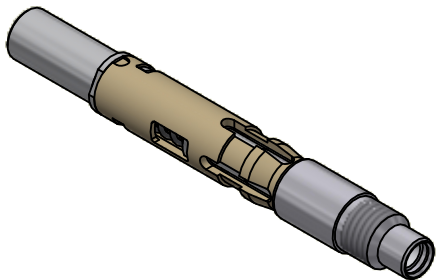
All dimensions are in millimeters (mm)



Heatshrink



Protection cap



All additional information are documented on the datasheet (See below link or QR Code)  
[www.lemo.com/pdf/PSS.F2.BX2.LCE30.pdf](http://www.lemo.com/pdf/PSS.F2.BX2.LCE30.pdf)

Datasheet



### Female fiber optic contact for tight jacket cable, ferrule bore $\varnothing 125.5\mu\text{m}$

Type F2



LEMO SA  
 Chemin des Champs-Courbes 28  
 1024 Ecublens - SWITZERLAND

Tel. (+41) 21 695 16 00  
 email : info@lemo.com  
 www.lemo.com

CD

Drawn	12.09.2023	MARI/OBAR
Checked	12.09.2023	OBAR
Modified	00	12.09.2023/MARI
DO NOT SCALE DRAWING		

**PSS.F2.BX2.LCE30**