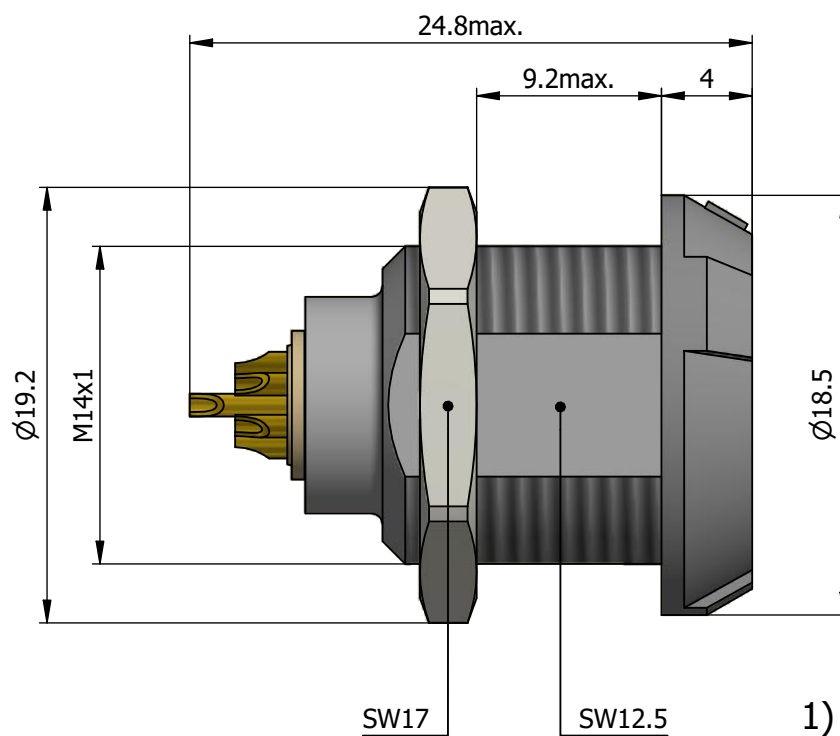
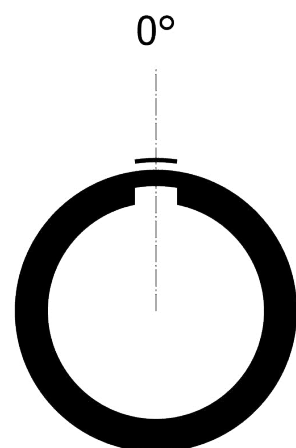
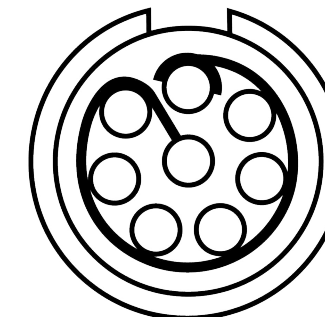


All dimensions are in millimeters (mm)

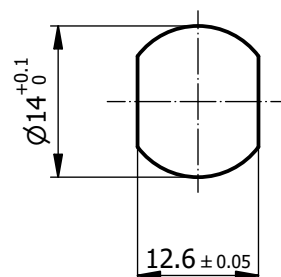
Alignment Key
Front View



Insert Configuration
Rear View



Recommended Panel Cut-Out



Mounting nut torque (Nm)
Plastic shell = 1.5

Note:

1) This picture is generic and for illustrative purposes only, and may show different keying, materials, colour, finish, and contact configuration. Minor shape or feature variations to actual item may be present.

All additional information are documented on the datasheet (See below link or QR Code)
www.lemo.com/pdf/PLG.M0.8GL.LG.pdf

Model Alignment Key Insert Config. Housing Insulator Contact Front Nut Color
PLG.M0.8GL.LG

Datasheet



Fixed socket, nut fixing
Series 1P

LEMO LEMO SA
Chemin des Champs-Courbes 28
1024 Ecublens - SWITZERLAND

Tel. (+41) 21 695 16 00
email : info@lemo.com
www.lemo.com

CD

| | | |
|----------------------|------------|-------------------|
| Drawn | 11.04.2023 | MARI / MARI |
| Checked | 11.04.2023 | OBAR |
| Modified | 00 | 11.04.2023 / MARI |
| DO NOT SCALE DRAWING | | |

PLG.M0.8GL.LG