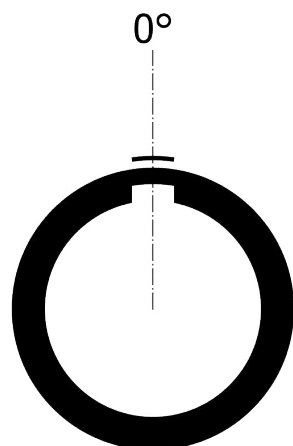
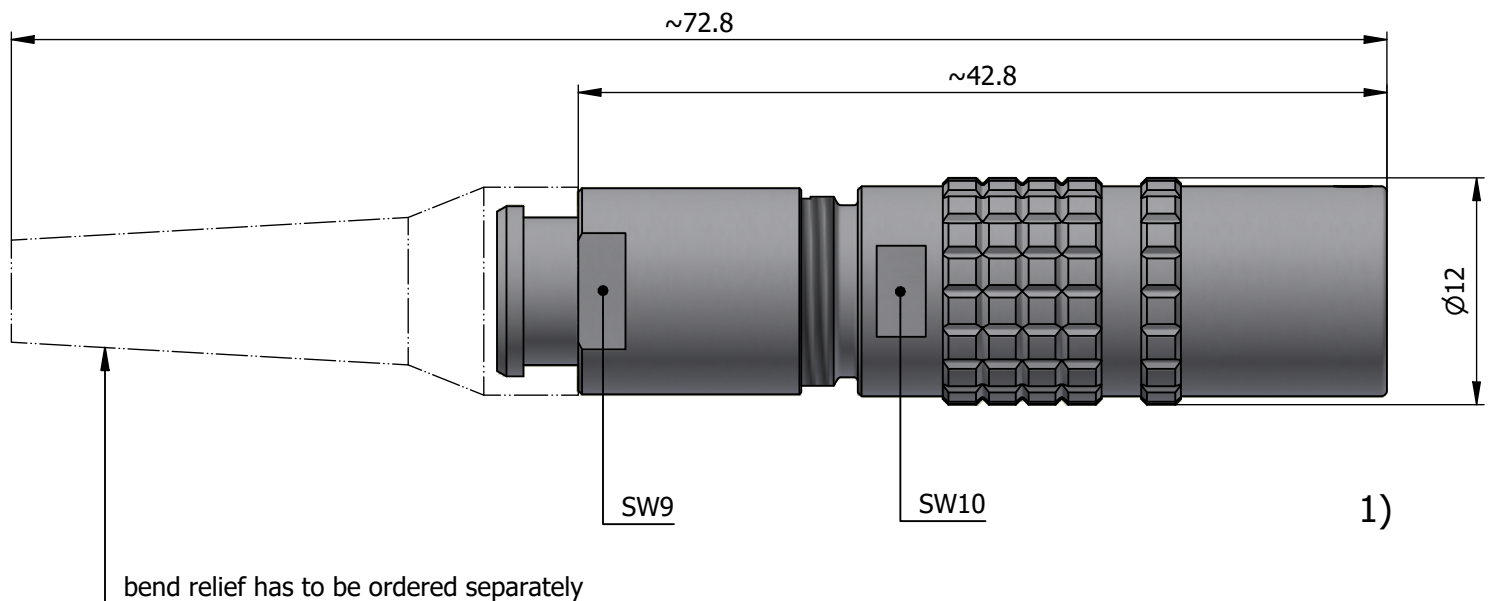
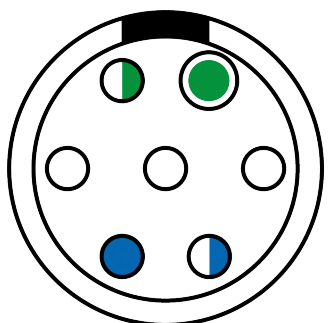


All dimensions are in millimeters (mm)

Alignment Key
Front View



Insert Configuration
Rear View



Model Alignment Key Series Insert Config. Housing Insulator Contact Collet Type Cable Ø Variant
PHG.1T.512.CTLC45Z

PRELIMINARY
 L0-L1-L2 Status
 Drawing subject to change

Note:

1) This picture is generic and for illustrative purposes only, and may show different keying, materials, colour, finish, and contact configuration. Minor shape or feature variations to actual item may be present.

All additional information are documented on the datasheet (See below link or QR Code)
www.lemo.com/pdf/PHG.1T.512.CTLC45Z.pdf

Datasheet 	Free socket, cable collet and nut for fitting a bend relief Series 1T		Drawn 02.11.2022 MARI/MARI
	LEMO SA Chemin des Champs-Courbes 28 1024 Ecublens - SWITZERLAND		Checked 06.11.2024 OBAR
	Tel. (+41 21) 695 16 00 email : info@lemo.com www.lemo.com		Modified 01 06.11.2024/MARI
	CD		DO NOT SCALE DRAWING
PHG.1T.512.CTLC45Z			