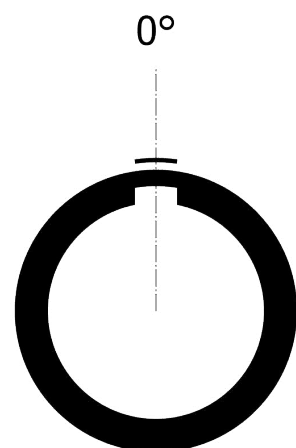
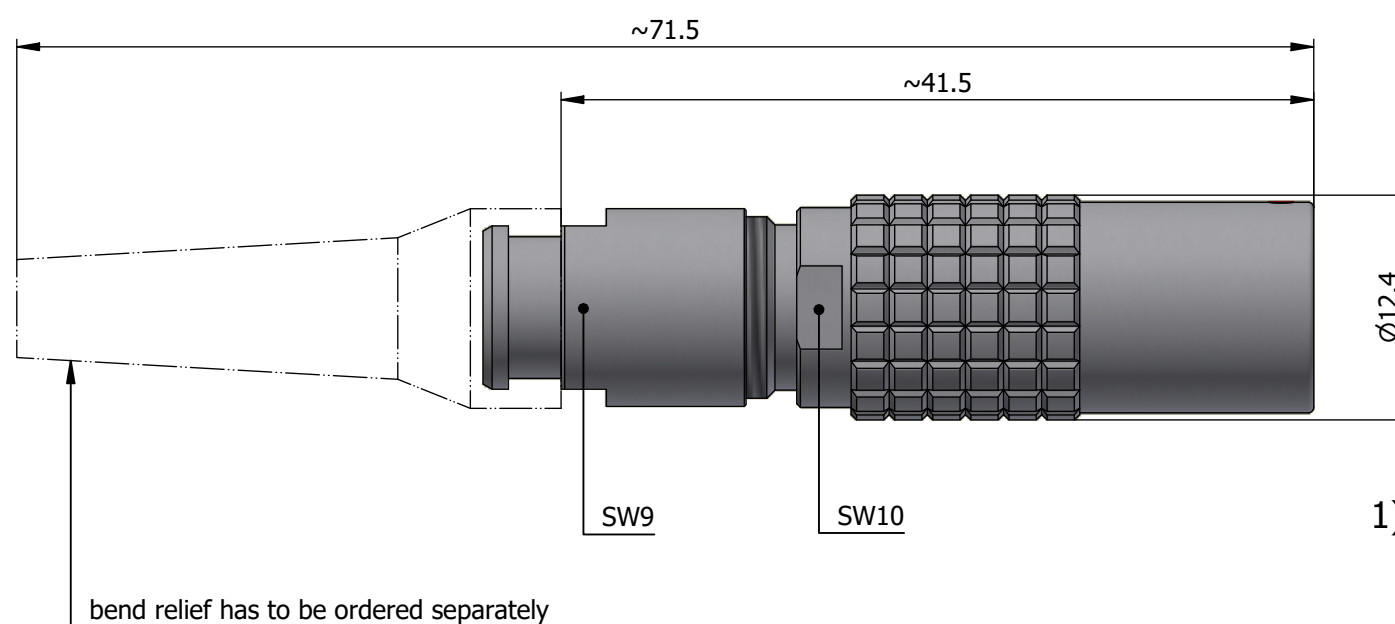
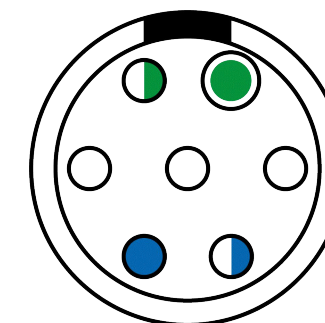


All dimensions are in millimeters (mm)

Alignment Key
Front View



Insert Configuration
Rear View



Note:

1) This picture is generic and for illustrative purposes only, and may show different keying, materials, colour, finish, and contact configuration. Minor shape or feature variations to actual item may be present.

All additional information are documented on the datasheet (See below link or QR Code)
www.lemo.com/pdf/PHG.1B.512.CTLD52Z.pdf

PRELIMINARY
 L0-L1-L2 Status
 Drawing subject to change

Model	Alignment Key	Series	Insert Config.	Housing	Insulator	Contact	Collet Type	Cable Ø	Variant
PHG	.1B	.512	.CTLD	52Z					

Datasheet 	Free socket, cable collet and nut for fitting a bend relief Series 1B		Drawn 02.11.2022 MARI/MARI
			Checked 06.11.2024 OBAR
			Modified 01 06.11.2024/MARI
LEMO SA Chemin des Champs-Courbes 28 1024 Ecublens - SWITZERLAND			Tel. (+41 21) 695 16 00 email : info@lemo.com www.lemo.com
CD			PHG.1B.512.CTLD52Z

DO NOT SCALE DRAWING