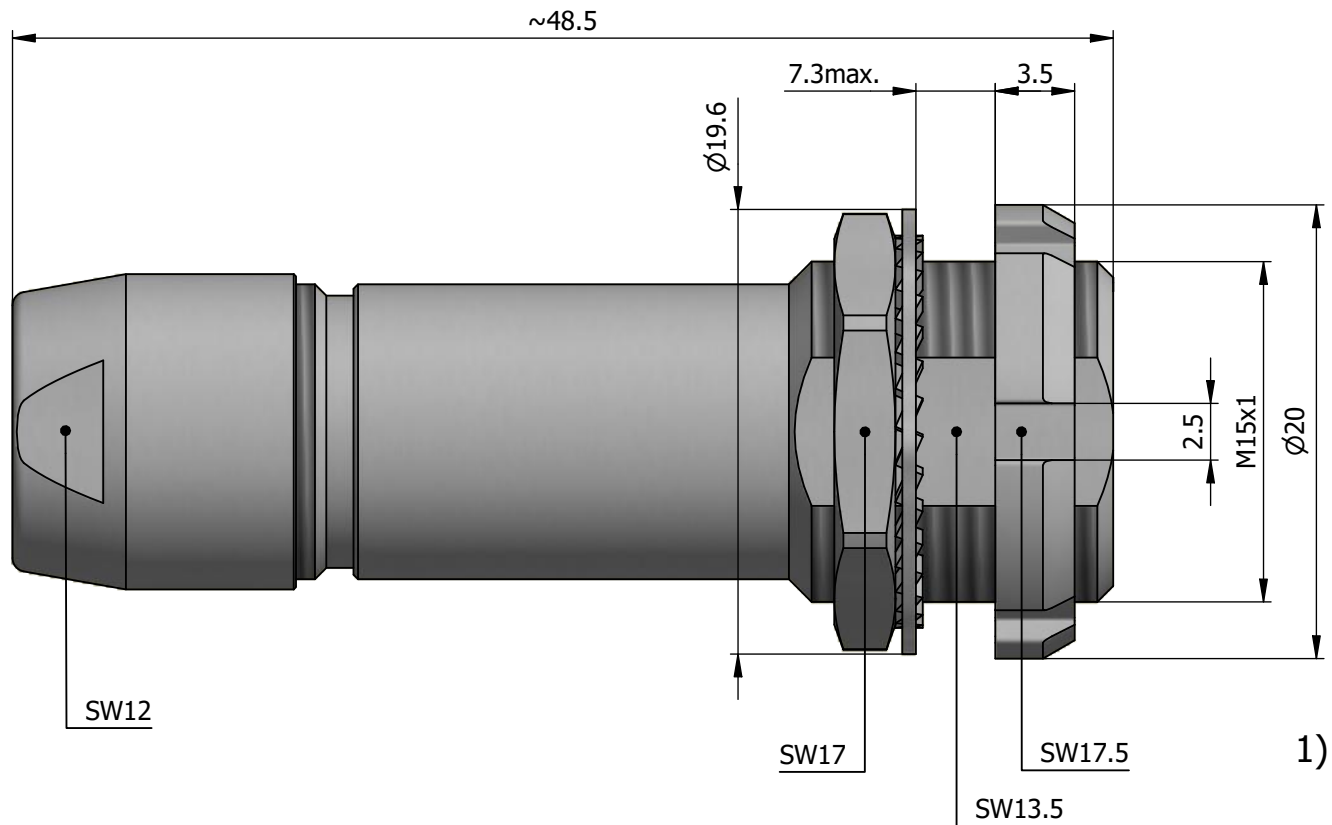
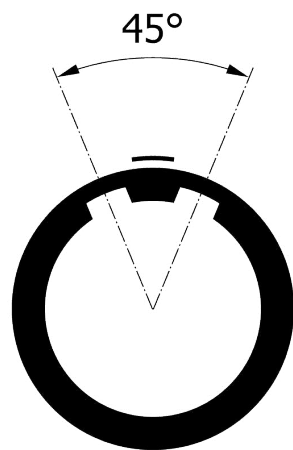
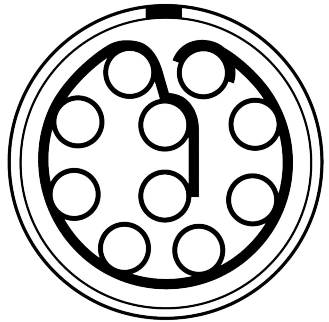


All dimensions are in millimeters (mm)

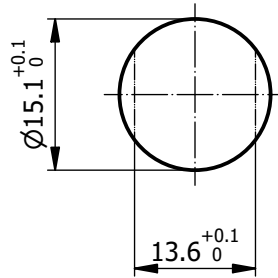
Alignment Key  
Front View



Insert Configuration  
Rear View



Recommended Panel Cut-Out



Mounting nut torque (Nm)  
Metal shell = 6.0  
Plastic shell = 0.8

**Note:**

1) This picture is generic and for illustrative purposes only, and may show different keying, materials, colour, finish, and contact configuration. Minor shape or feature variations to actual item may be present.

All additional information are documented on the datasheet (See below link or QR Code)  
[www.lemo.com/pdf/PFB.2B.310.CLLD92.pdf](http://www.lemo.com/pdf/PFB.2B.310.CLLD92.pdf)

Model	Alignment Key	Series	Insert Config.	Housing	Insulator	Contact	Collet Type	Cable Ø	Variant
PFB.2B.310.CLLD92									

	<b>Fixed socket, with two nuts, cable collet (back panel mounting)</b> Series 2B	Drawn 06.07.2022 MARI / MARI
		Checked 06.07.2022 OBAR
		Modified 00 06.07.2022 / MARI
		DO NOT SCALE DRAWING
	LEMO SA Chemin des Champs-Courbes 28 1024 Ecublens - SWITZERLAND	Tel. (+41 21) 695 16 00 email : info@lemo.com www.lemo.com
CD	<b>PFB.2B.310.CLLD92</b>	