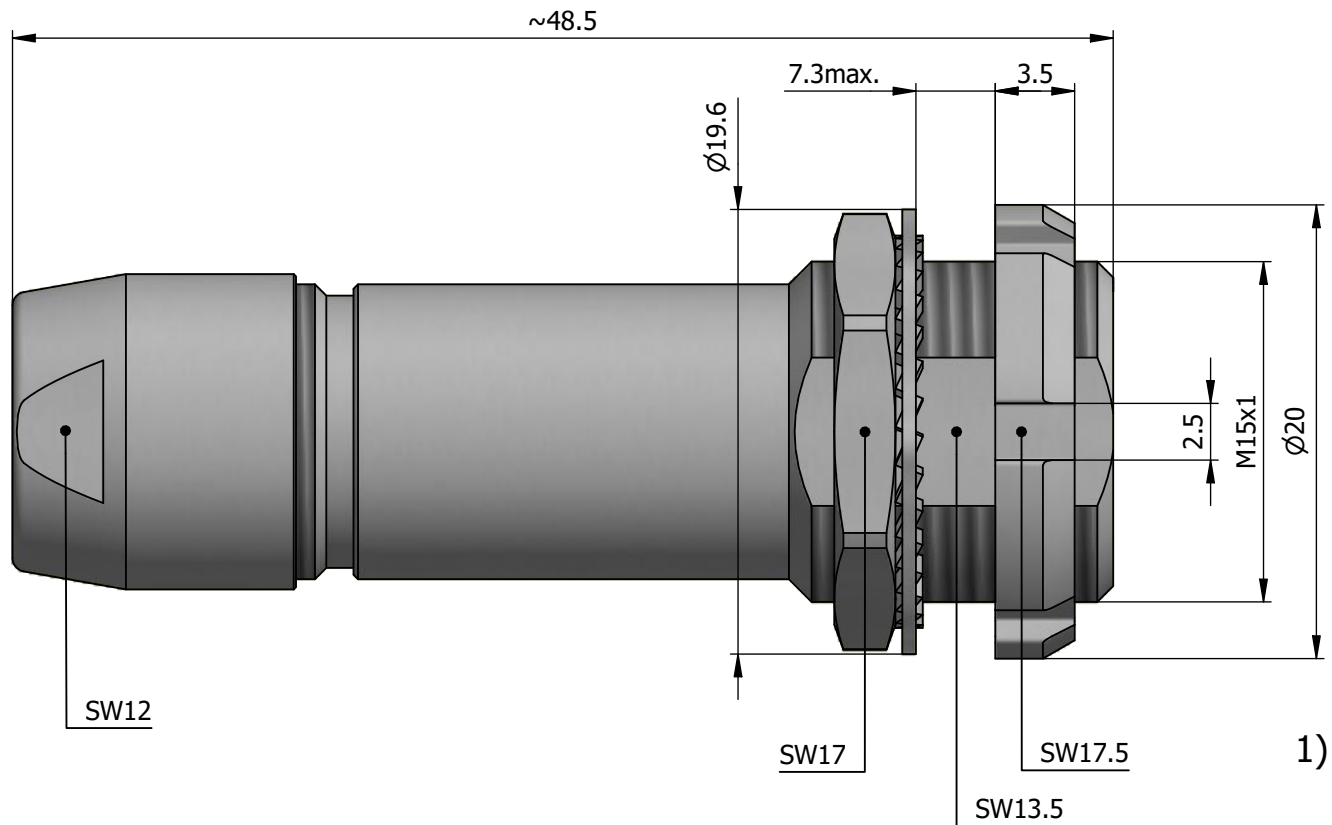
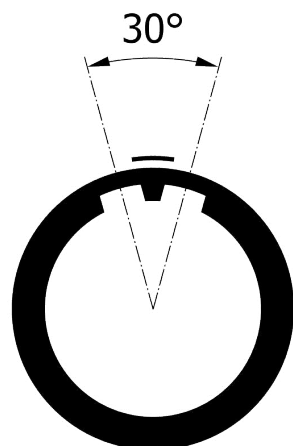
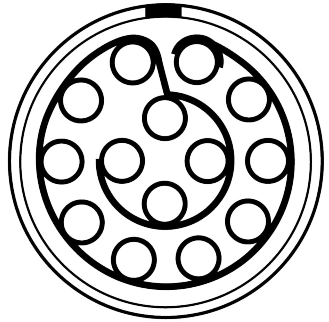


All dimensions are in millimeters (mm)

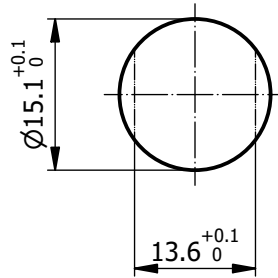
Alignment Key  
Front View



Insert Configuration  
Rear View



Recommended Panel Cut-Out




Mounting nut torque (Nm)  
Metal shell = 6.0  
Plastic shell = 0.8

Note:

1) This picture is generic and for illustrative purposes only, and may show different keying, materials, colour, finish, and contact configuration. Minor shape or feature variations to actual item may be present.

All additional information are documented on the datasheet (See below link or QR Code)  
[www.lemo.com/pdf/PFA.2B.314.CLLD72.pdf](http://www.lemo.com/pdf/PFA.2B.314.CLLD72.pdf)

Model Alignment Key Series Insert Config. Housing Insulator Contact Collet Type Cable Ø Variant  
**PFA.2B.314.CLLD72**

	<b>Fixed socket, with two nuts, cable collet (back panel mounting)</b> Series 2B		Drawn 06.07.2022 MARI / MARI
	 LEMO SA Chemin des Champs-Courbes 28 1024 Ecublens - SWITZERLAND		Checked 06.07.2022 OBAR
Tel. (+41 21) 695 16 00 email : info@lemo.com www.lemo.com		Modified 00 06.07.2022 / MARI	DO NOT SCALE DRAWING
CD		<b>PFA.2B.314.CLLD72</b>	