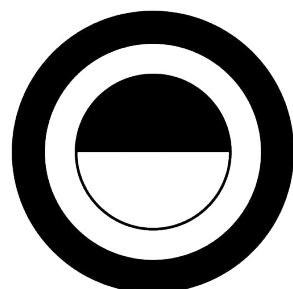
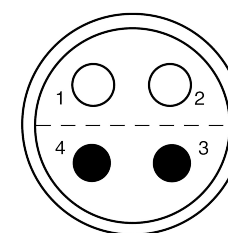


All dimensions are in millimeters (mm)

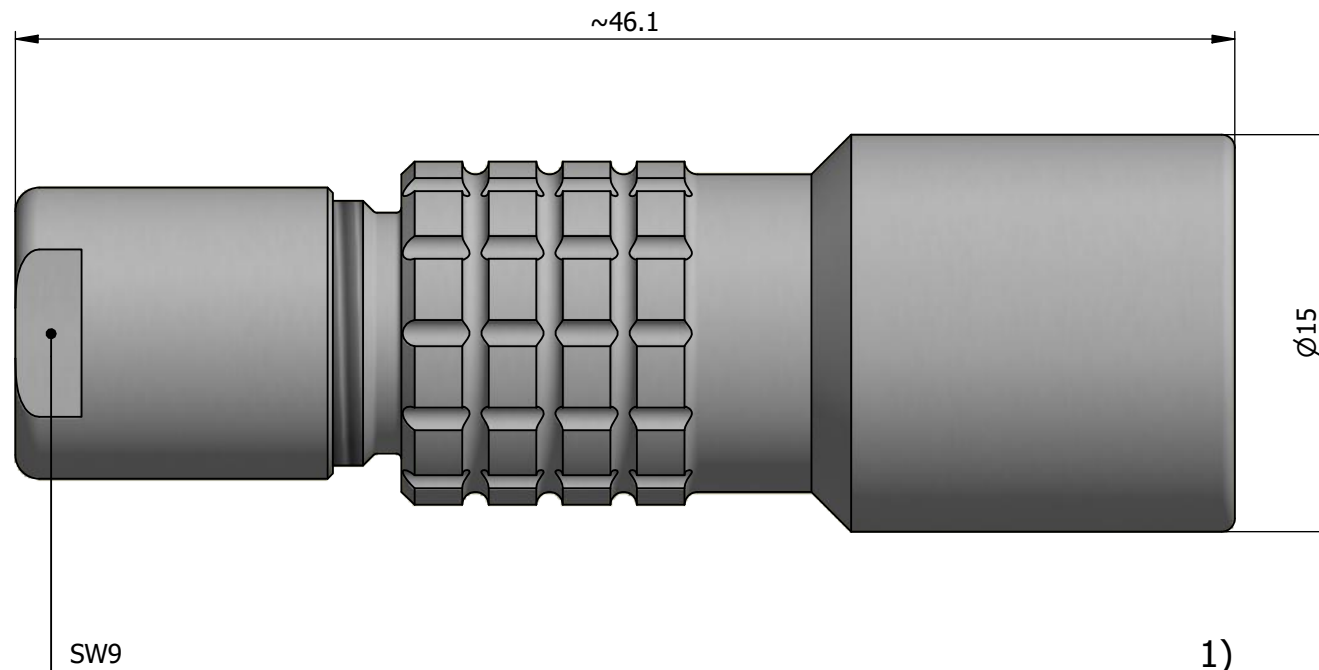
Alignment Key  
Front View



Insert Configuration  
Rear View



Contact 1, 3: Chromel (+)  
Contact 2, 4: Alumel (-)



**Note:**

1) This picture is generic and for illustrative purposes only, and may show different keying, materials, colour, finish, and contact configuration. Minor shape or feature variations to actual item may be present.

All additional information are documented on the datasheet (See below link or QR Code)  
[www.lemo.com/pdf/PCA.1E.902.CLKC30.pdf](http://www.lemo.com/pdf/PCA.1E.902.CLKC30.pdf)

Model	Series	Insert Config.	Housing	Insulator	Contact	Collet Type	Cable Ø	Variant
PCA	1E	902	CL	KC	30			



**Free socket, cable collet**  
Series 1E

**LEMO**  
LEMO SA  
Chemin des Champs-Courbes 28  
1024 Ecublens - SWITZERLAND

Tel. (+41) 21 695 16 00  
email : [info@lemo.com](mailto:info@lemo.com)  
[www.lemo.com](http://www.lemo.com)

CD

Drawn	17.08.2022	MARI / MARI
Checked	17.08.2022	OBAR
Modified	00	17.08.2022 / MARI
DO NOT SCALE DRAWING		

**PCA.1E.902.CLKC30**