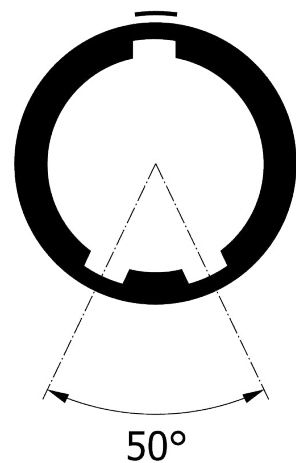
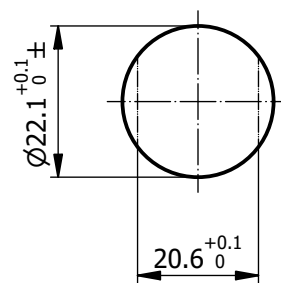


All dimensions are in millimeters (mm)

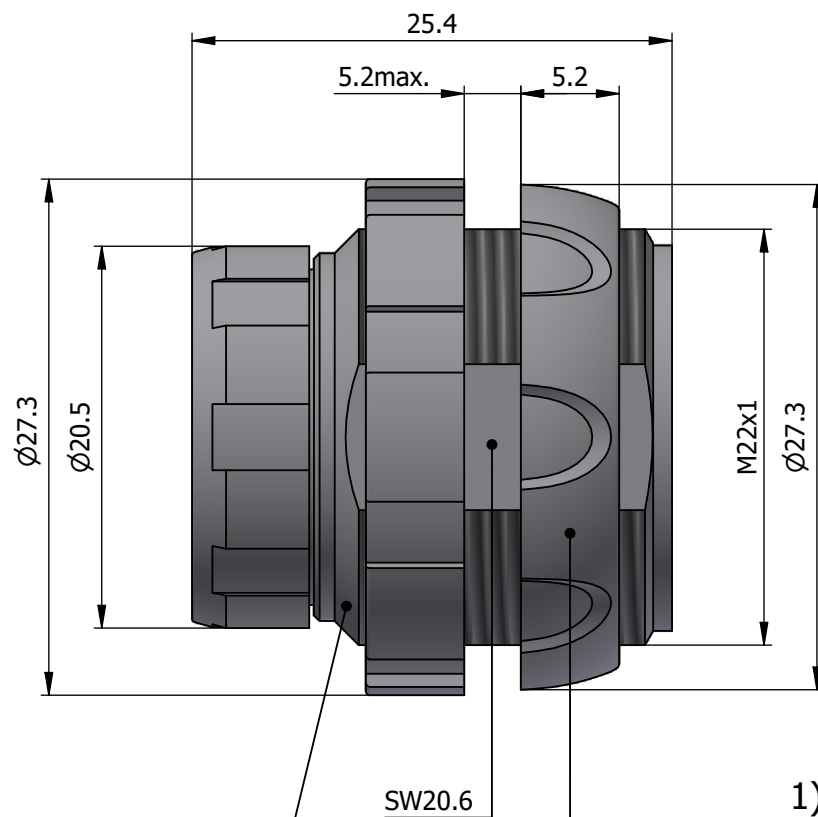
Alignment Key
Front View



Recommended Panel Cut-Out



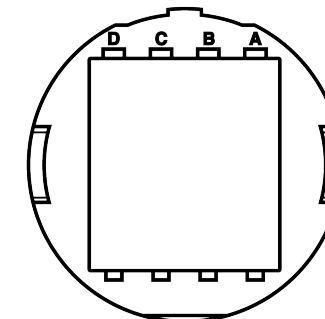
Mounting nut torque (Nm)
Plastic shell = 1.0



Outershell color defined in the datasheet

Nut color defined in the datasheet

Insert Configuration
Rear View



Note:

1) This picture is generic and for illustrative purposes only, and may show different keying, materials, colour, finish, and contact configuration. Minor shape or feature variations to actual item may be present.

All additional information are documented on the datasheet (See below link or QR Code)
www.lemo.com/pdf/MKS.V04.GEZG.pdf

Model
Alignment Key
Insert Config.
Outershell Color
Insulator
Contact
Front Nut Color
MKS.V04.GEZG

Datasheet



Fixed socket, nut fixing, back mounting
Series MP

LEMO
LEMO SA
Chemin des Champs-Courbes 28
1024 Ecublens - SWITZERLAND

Tel. (+41) 21 695 16 00
email : info@lemo.com
www.lemo.com

CD

Drawn	29.04.2024	MARI / MARI
Checked	15.07.2024	OBAR
Modified	01	15.07.2024 / MARI
DO NOT SCALE DRAWING		

MKS.V04.GEZG