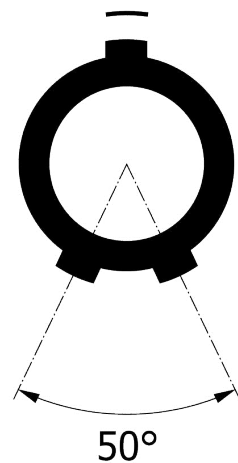
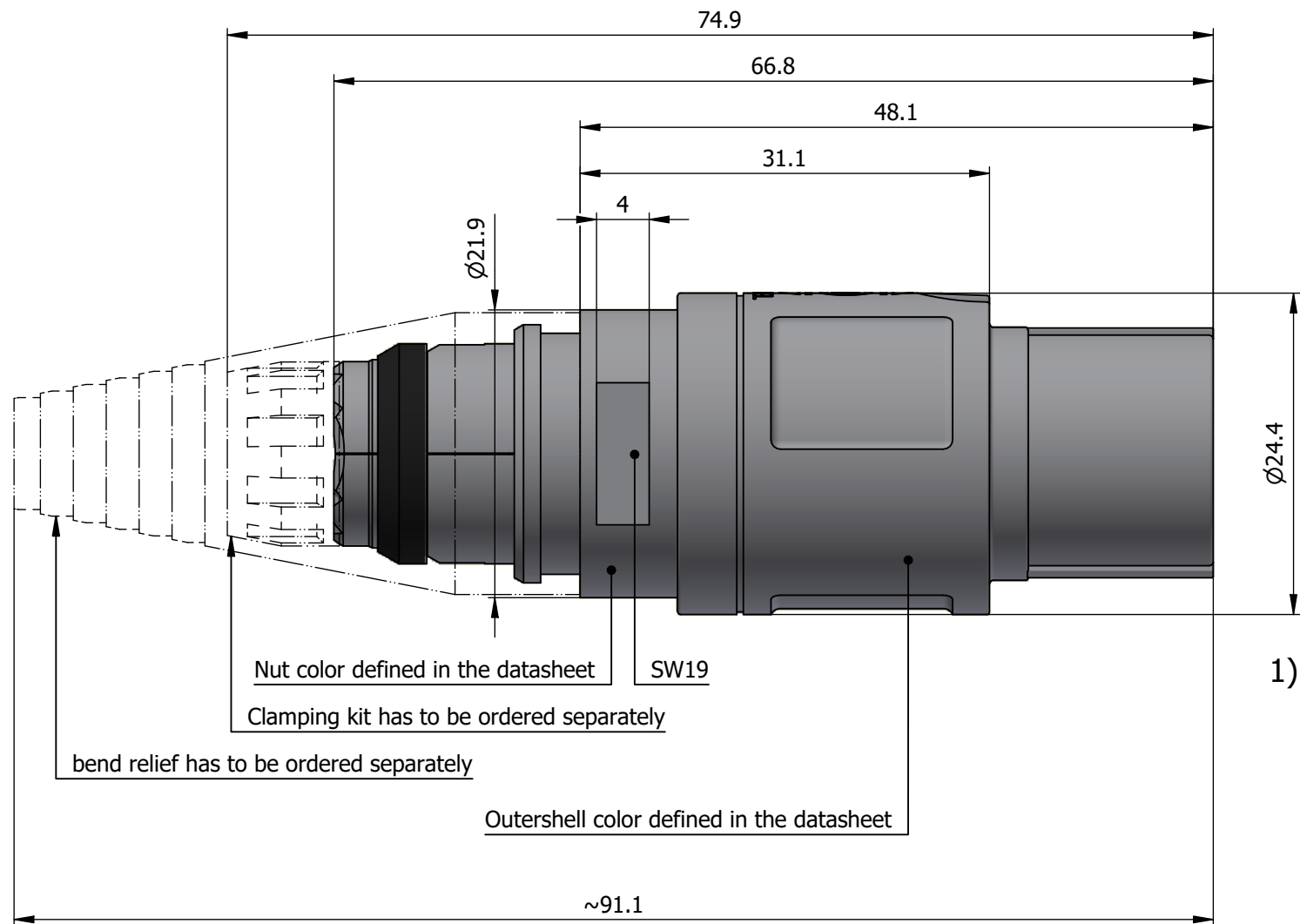
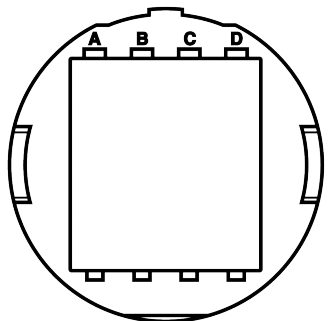


All dimensions are in millimeters (mm)

Alignment Key  
Front View



Insert Configuration  
Rear View



**Note:**

1) This picture is generic and for illustrative purposes only, and may show different keying, materials, colour, finish, and contact configuration. Minor shape or feature variations to actual item may be present.

All additional information are documented on the datasheet (See below link or QR Code)  
[www.lemo.com/pdf/MAS.V04.GEZ.ZGZ.pdf](http://www.lemo.com/pdf/MAS.V04.GEZ.ZGZ.pdf)

Model Alignment Key Insert Config. Outershell Color Insulator Racks Collet Type Nuts Color Variant  
**MAS.V04.GEZ.ZGZ**

Datasheet



**Straight plug with 4 rack slots**

Series MP



LEMO SA  
 Chemin des Champs-Courbes 28  
 1024 Ecublens - SWITZERLAND

Tel. (+41) 21 695 16 00  
 email : info@lemo.com  
 www.lemo.com

CD

Drawn	29.04.2024	MARI / MARI
Checked	29.04.2024	OBAR
Modified	00	29.04.2024 / MARI
DO NOT SCALE DRAWING		

**MAS.V04.GEZ.ZGZ**