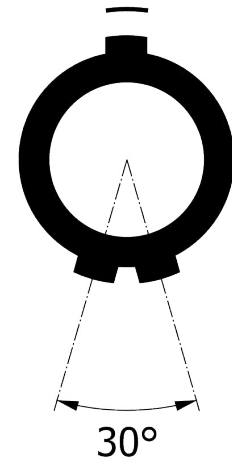
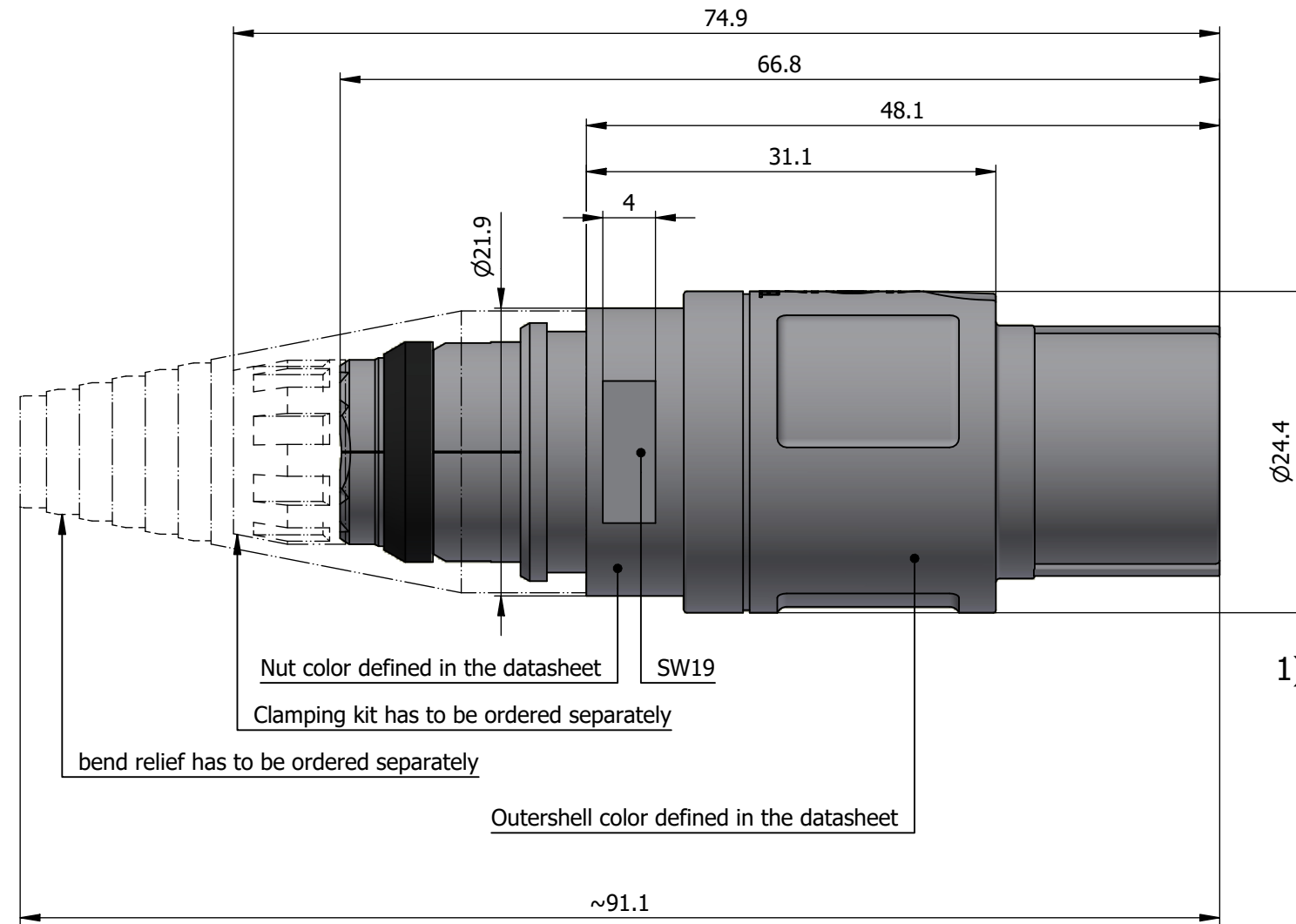
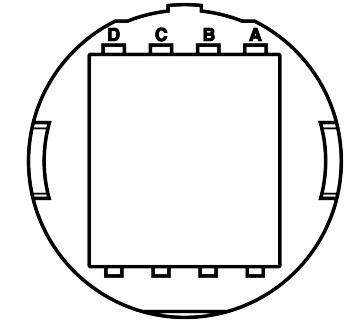


All dimensions are in millimeters (mm)

Alignment Key  
Front View



Insert Configuration  
Rear View



Nut color defined in the datasheet  
 Clamping kit has to be ordered separately  
 bend relief has to be ordered separately  
 Outershell color defined in the datasheet

1)

**Note:**

1) This picture is generic and for illustrative purposes only, and may show different keying, materials, colour, finish, and contact configuration. Minor shape or feature variations to actual item may be present.

All additional information are documented on the datasheet (See below link or QR Code)  
[www.lemo.com/pdf/MAN.V04.GEZ.ZGZ.pdf](http://www.lemo.com/pdf/MAN.V04.GEZ.ZGZ.pdf)

Model  
 Alignment Key  
 Insert Config.  
 Outershell Color  
 Insulator  
 Racks  
 Collet Type  
 Nuts Color  
 Variant  
**MAN.V04.GEZ.ZGZ**

<p>Datasheet</p>	<p><b>Straight plug with 4 rack slots</b>                  Series MP</p>		Drawn 29.04.2024 MARI / MARI
			Checked 29.04.2024 OBAR
			Modified 00 29.04.2024 / MARI
			DO NOT SCALE DRAWING
<p>LEMO SA                  Chemin des Champs-Courbes 28                  1024 Ecublens - SWITZERLAND</p>		Tel. (+41) 21 695 16 00 email : info@lemo.com www.lemo.com	CD
			<p><b>MAN.V04.GEZ.ZGZ</b></p>