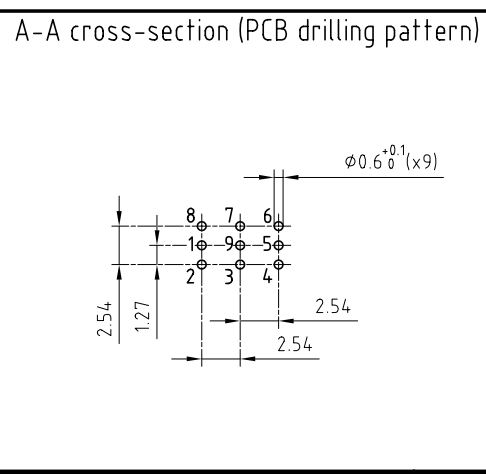
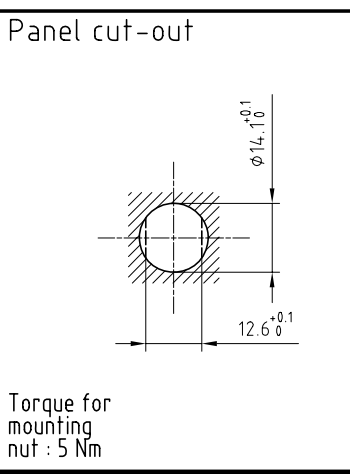


Outer shell	: Brass (UNS C38500)	Chrome plated (FS-QQ-C-320B)
Earthing crown	: Bronze (UNS C54400)	Nickel plated (FS-QQ-N-290A)
Insulator	: PEEK	-
Female contact	: Bronze (UNS C54400)	Gold plated (ISO 4523)
Retaining ring	: PEEK	-
Notched nut	: Brass (UNS C38500)	Chrome plated (FS-QQ-C-320B)
Other metallic part	: Brass (UNS C38500)	Nickel plated (FS-QQ-N-290A)
Contact wire	: Bronze (UNS C27400)	Tinned
Position insert	: FEP	-
Sealing resin	: Epoxy	-
O-rings	: Silicone (MVQ)	-



Spanner for notched nut : DCH.91.181.PA

**Fixed socket , nut fixing , with key (G) , Watertight , with elbow (90°) contact for PCB . (Back panel mounting) . Series OK , multiple (9)**  
 ETUDE N° E9756

Echelle —	Dessiné	15.11.06	OVU / RMO
	Contrôle	24.11.06	RMO / CDE
	Modif.	01	24.11.06 / OVU