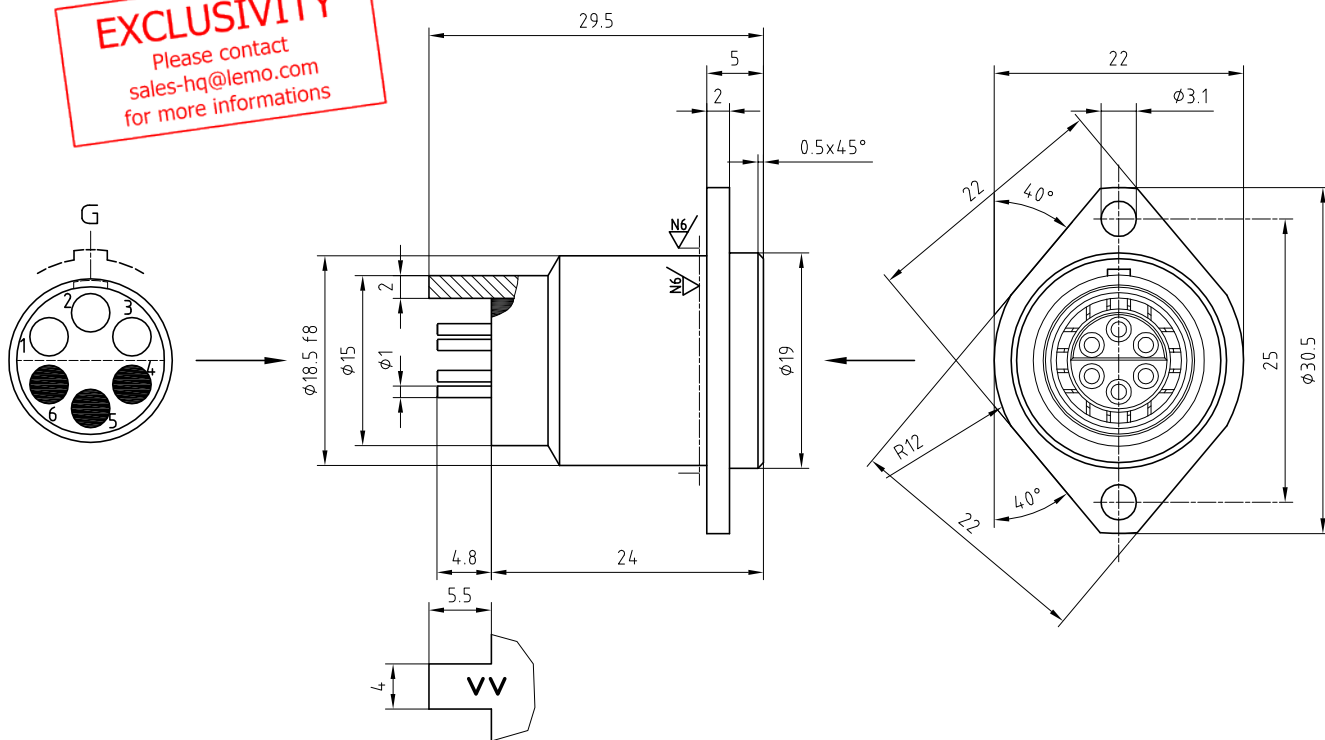
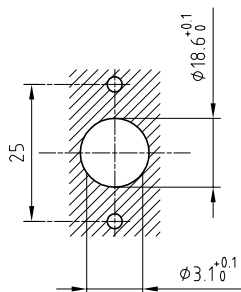


**EXCLUSIVITY**  
 Please contact  
 sales-hq@lemo.com  
 for more informations

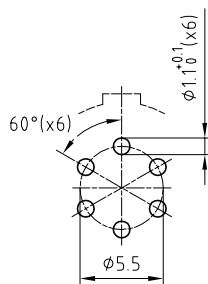


Outer shell	: Brass (UNS C38500)	Chrome plated (FS-QQ-C-320B)
Earthing crown	: Brass (UNS C38500)	Nickel plated (FS-QQ-N-290A)
Insulator	: PEEK	-
Female contact	: Bronze (UNS C54400)	Gold plated (ISO 4523)
Male contact	: Brass (UNS C38500)	Gold plated (ISO 4523)
Sealing resin	: Epoxy	-
O-rings	: Viton (FPM)	-

Panel cut-out



PCB drilling pattern



Fixed socket , oval flange , with key (G) ,  
 2 holes fixing , vacuumtight , for PCB .  
 Series 2L , multipole (6)

ETUDE N° E1786/E2416

Echelle	Dessiné	17.09.1992	MRI / RMO
	Contrôle	04.10.2011	JPBA/ATVI
	Modif.	02	04.10.2011/ OVU



**LEMO**

CH-1024 Ecublens

**HBG.2L.306.CLNPV**