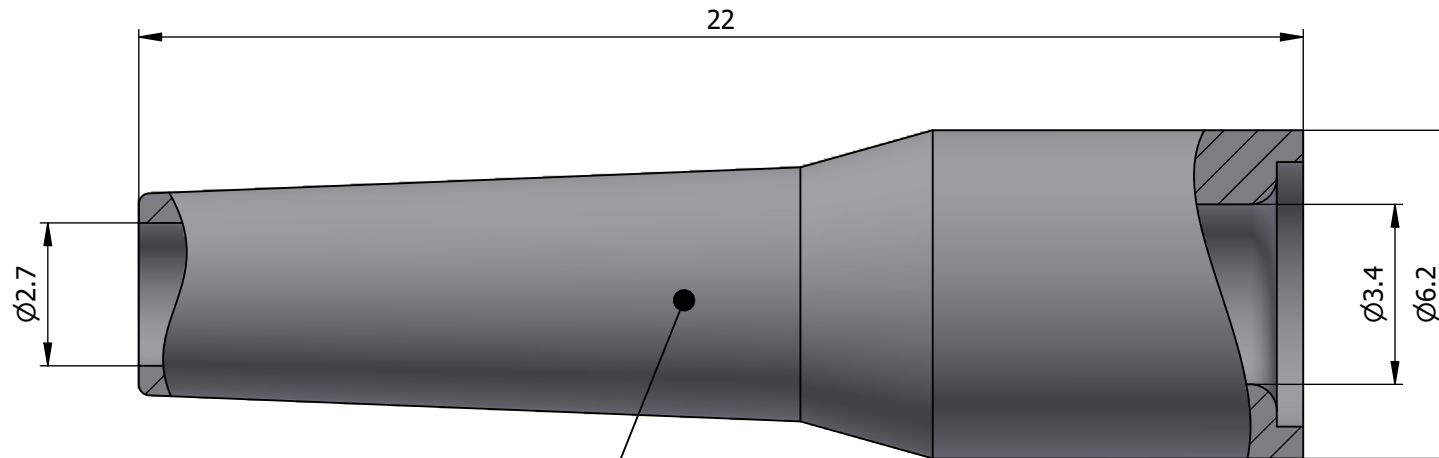
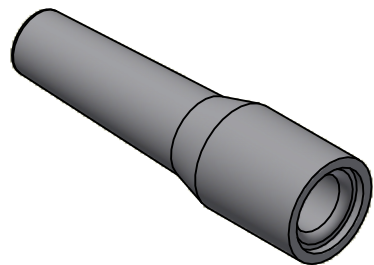


All dimensions are in millimeters (mm)



Color defined in the datasheet



All additional information are documented on the datasheet (See below link or QR Code)
www.lemo.com/pdf/GND.00.028.DB.pdf

Datasheet



Bend relief, for crimping collet nut, for cable

$\varnothing 2.8\text{min.} - \varnothing 3.1\text{max.}$

Series 00



LEMO SA
 Chemin des Champs-Courbes 28
 1024 Ecublens - SWITZERLAND

Tel. (+41) 21 695 16 00
 email : info@lemo.com
 www.lemo.com

CD

Drawn	05.12.2019	OVU/NHA
Checked	24.11.2023	OBAR
Modified	01	24.11.2023/MARI
DO NOT SCALE DRAWING		

GND.00.028.DB