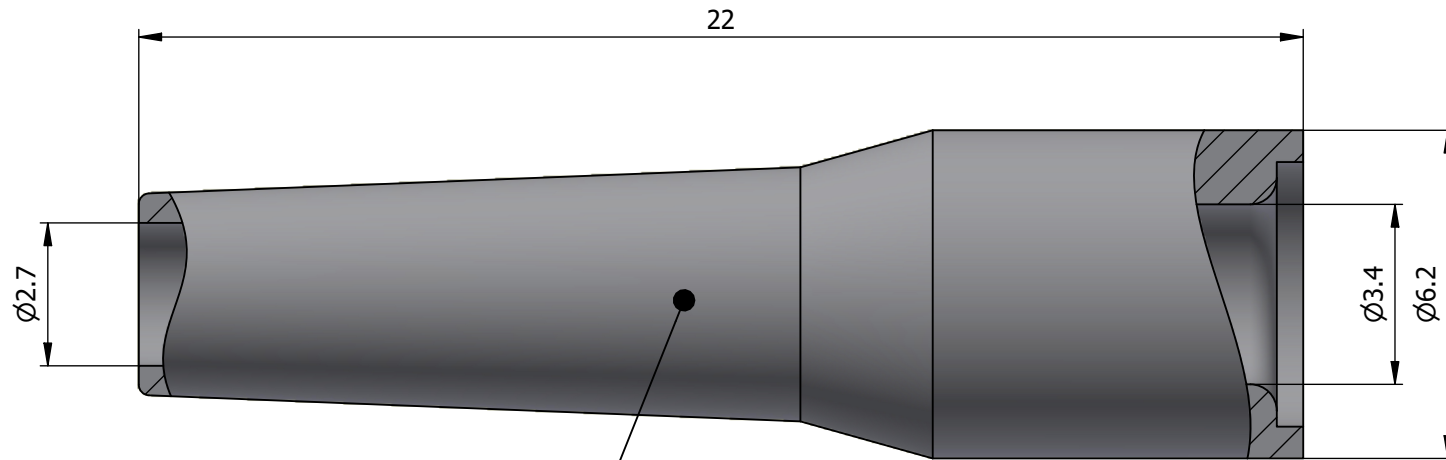
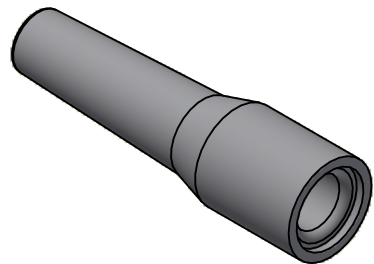


All dimensions are in millimeters (mm)



Color defined in the datasheet



All additional information are documented on the datasheet (See below link or QR Code)  
[www.lemo.com/pdf/GND.00.028.DA.pdf](http://www.lemo.com/pdf/GND.00.028.DA.pdf)

Datasheet



**Bend relief, for crimping collet nut, for cable**

**$\varnothing 2.8\text{min.} - \varnothing 3.1\text{max.}$**

Series 00



LEMO SA  
 Chemin des Champs-Courbes 28  
 1024 Ecublens - SWITZERLAND

Tel. (+41) 21 695 16 00  
 email : info@lemo.com  
 www.lemo.com

CD

Drawn	05.12.2019	OVU/NHA
Checked	24.11.2023	OBAR
Modified	01	24.11.2023/MARI
DO NOT SCALE DRAWING		

**GND.00.028.DA**