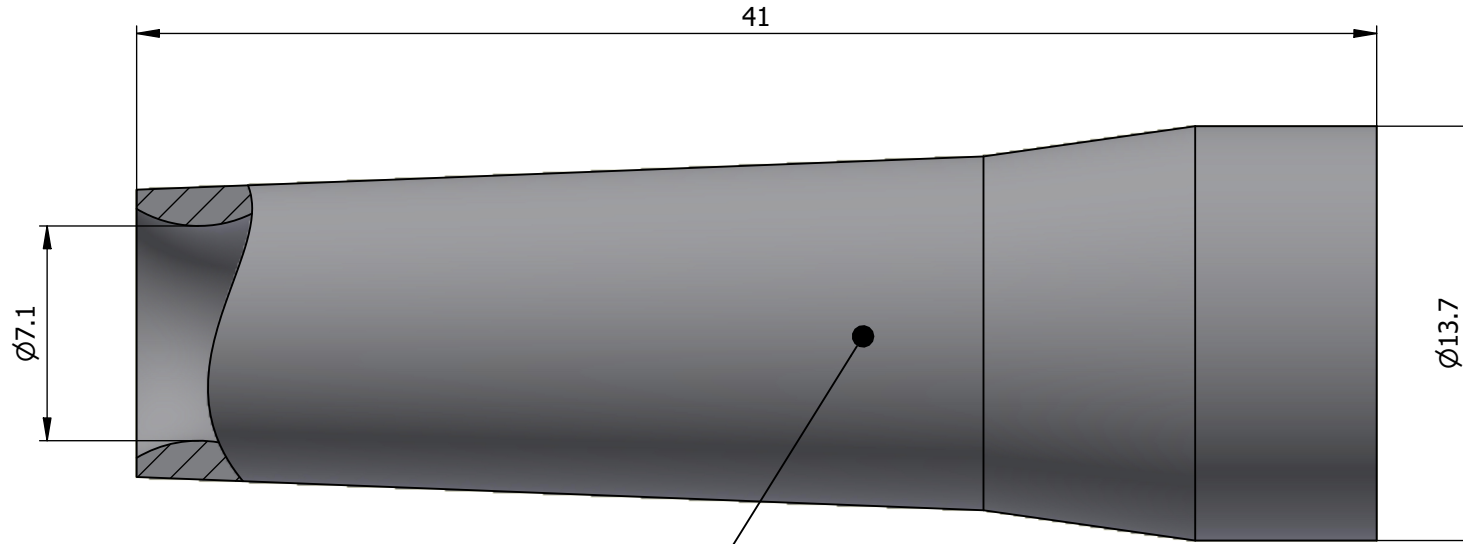
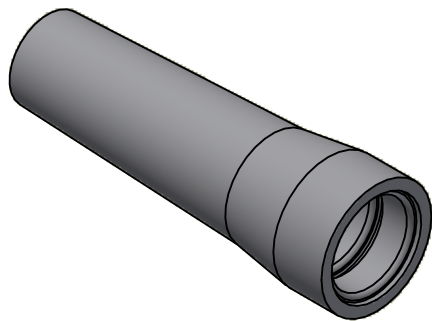


All dimensions are in millimeters (mm)



Color defined in the datasheet



All additional information are documented on the datasheet (See below link or QR Code)
www.lemo.com/pdf/GMA.2B.071.RA.pdf

Datasheet



Bend relief (Silicone), for cable

Ø7.1min.-Ø7.9max.

Series 2B



LEMO SA
 Chemin des Champs-Courbes 28
 1024 Ecublens - SWITZERLAND

Tel. (+41) 21 695 16 00
 email : info@lemo.com
 www.lemo.com

CD

| | | |
|----------------------|------------|-----------------|
| Drawn | 13.03.2008 | OVU/RMO |
| Checked | 20.09.2024 | OBAR |
| Modified | 02 | 20.09.2024/MARI |
| DO NOT SCALE DRAWING | | |

GMA.2B.071.RA