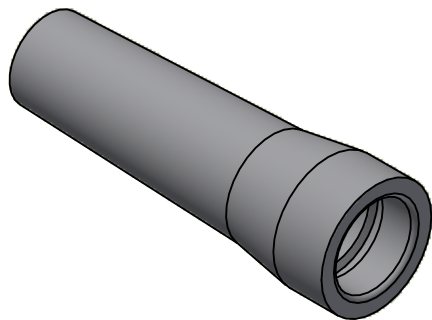
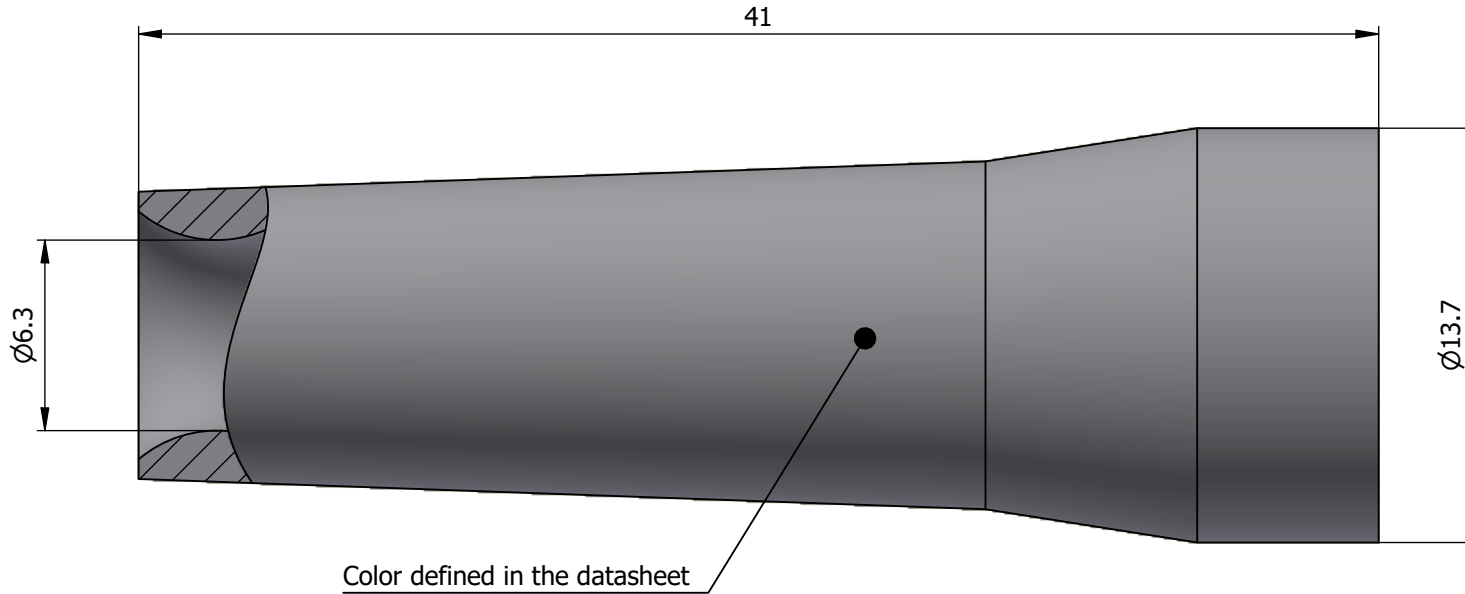


All dimensions are in millimeters (mm)



All additional information are documented on the datasheet (See below link or QR Code)
www.lemo.com/pdf/GMA.2B.063.RS.pdf

Datasheet



Bend relief (Silicone), for cable

Ø6.3min.-Ø7.0max.

Series 2B



LEMO SA
 Chemin des Champs-Courbes 28
 1024 Ecublens - SWITZERLAND

Tel. (+41) 21 695 16 00
 email : info@lemo.com
 www.lemo.com

CD

Drawn	09.04.2008	OVU/RMO
Checked	20.09.2024	OBAR
Modified	01	20.09.2024/MARI
DO NOT SCALE DRAWING		

GMA.2B.063.RS