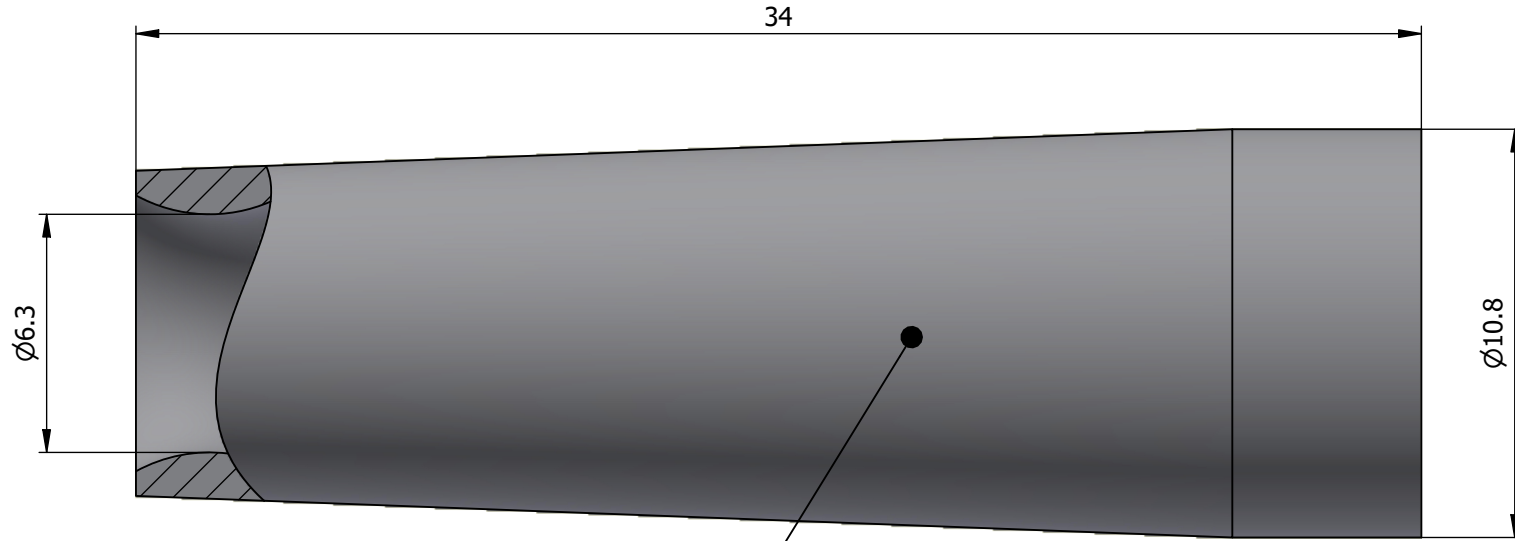
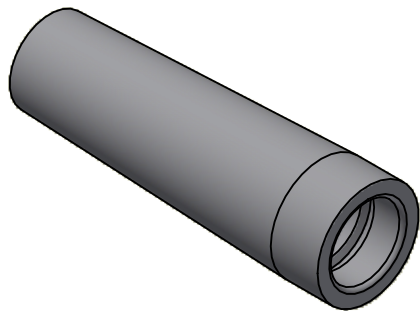


All dimensions are in millimeters (mm)



Color defined in the datasheet



All additional information are documented on the datasheet (See below link or QR Code)
www.lemo.com/pdf/GMA.1B.063.RV.pdf

Datasheet



Bend relief (Silicone), for cable

Ø6.3min.-Ø7.0max.

Series 1B

| | | |
|-------|------------|---------|
| Drawn | 27.05.2008 | OVU/RMO |
|-------|------------|---------|

| | | |
|---------|------------|------|
| Checked | 20.09.2024 | OBAR |
|---------|------------|------|

| | | |
|----------|----|-----------------|
| Modified | 02 | 20.09.2024/MARI |
|----------|----|-----------------|

| | | |
|--|----------------------|--|
| | DO NOT SCALE DRAWING | |
|--|----------------------|--|



LEMO SA
 Chemin des Champs-Courbes 28
 1024 Ecublens - SWITZERLAND

Tel. (+41) 21 695 16 00
 email : info@lemo.com
 www.lemo.com

CD

GMA.1B.063.RV