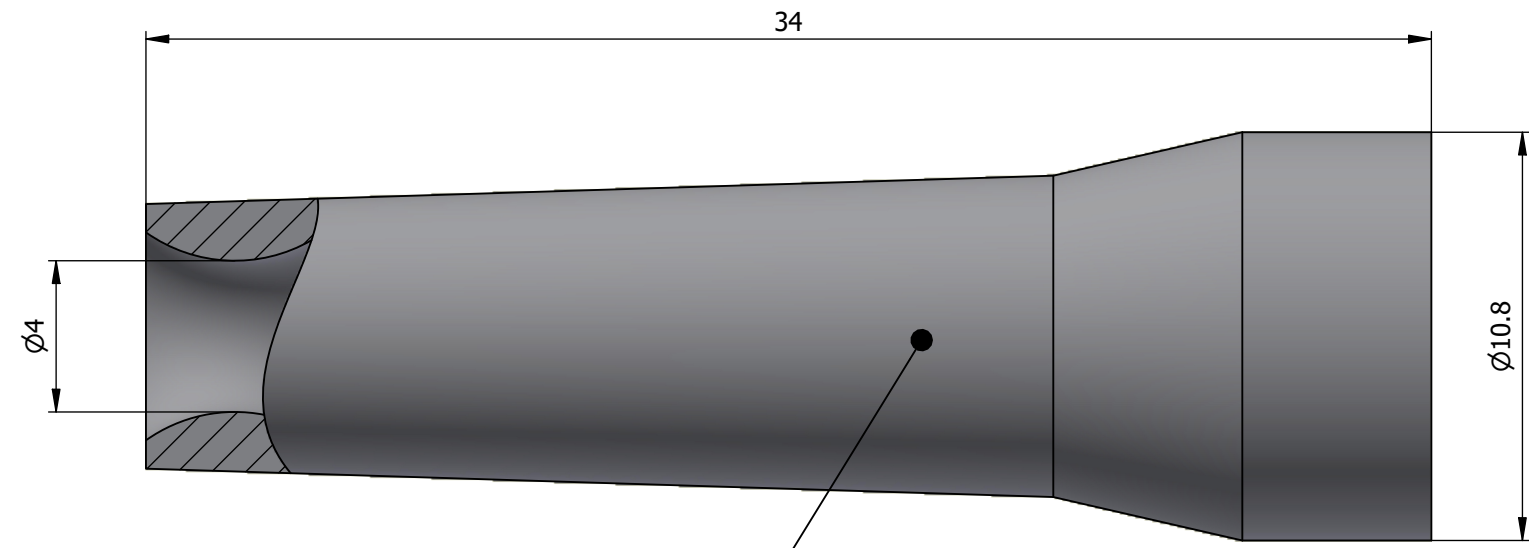
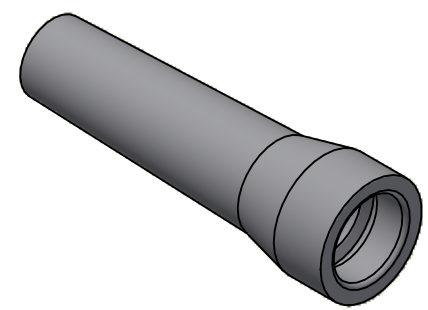


All dimensions are in millimeters (mm)



Color defined in the datasheet



All additional information are documented on the datasheet (See below link or QR Code)
www.lemo.com/pdf/GMA.1B.040.RS.pdf

Datasheet



Bend relief (Silicone), for cable

Ø4.0min.-Ø4.4max.

Series 1B



LEMO SA
 Chemin des Champs-Courbes 28
 1024 Ecublens - SWITZERLAND

Tel. (+41) 21 695 16 00
 email : info@lemo.com
 www.lemo.com

CD

Drawn	28.05.2008	OVU/RMO
Checked	20.09.2024	OBAR
Modified	02	20.09.2024/MARI
DO NOT SCALE DRAWING		

GMA.1B.040.RS