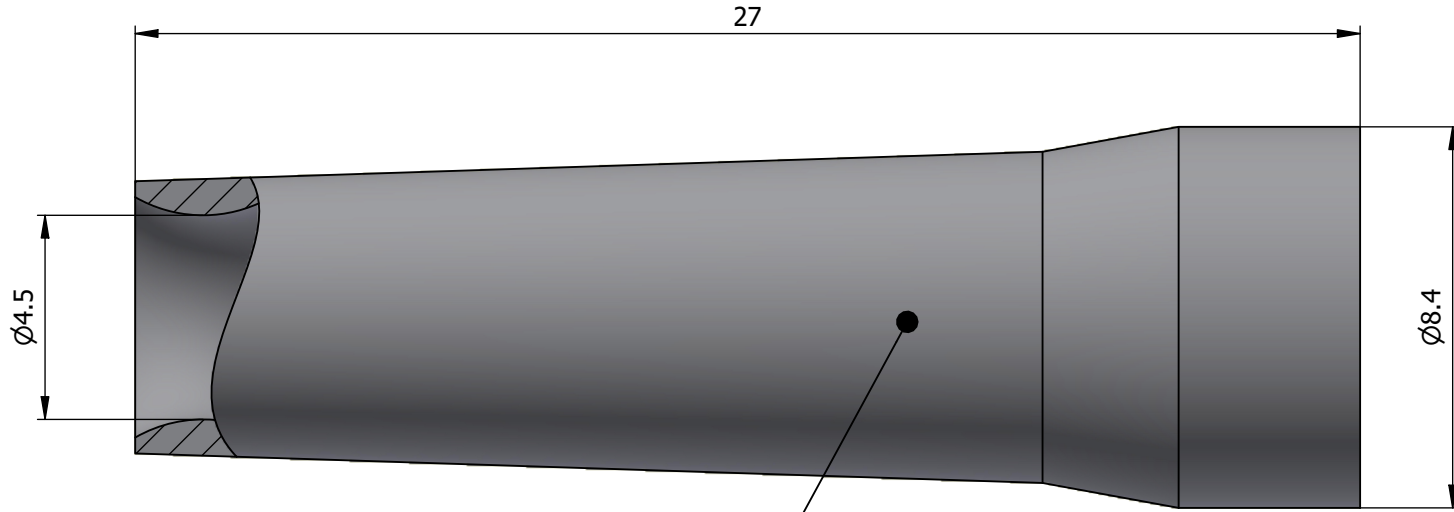
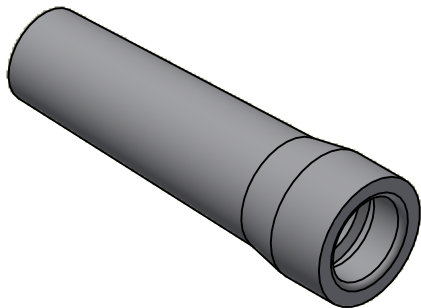


All dimensions are in millimeters (mm)



Color defined in the datasheet



All additional information are documented on the datasheet (See below link or QR Code)
www.lemo.com/pdf/GMA.0B.045.RN.pdf

Datasheet



Bend relief (Silicone), for cable

Ø4.5min.-Ø5.2max.

Series 0B

Drawn	16.06.2010	OVU/JPBA
Checked	20.09.2024	OBAR
Modified	01	20.09.2024/MARI
DO NOT SCALE DRAWING		



LEMO SA
 Chemin des Champs-Courbes 28
 1024 Ecublens - SWITZERLAND

Tel. (+41) 21 695 16 00
 email : info@lemo.com
 www.lemo.com

CD

GMA.0B.045.RN