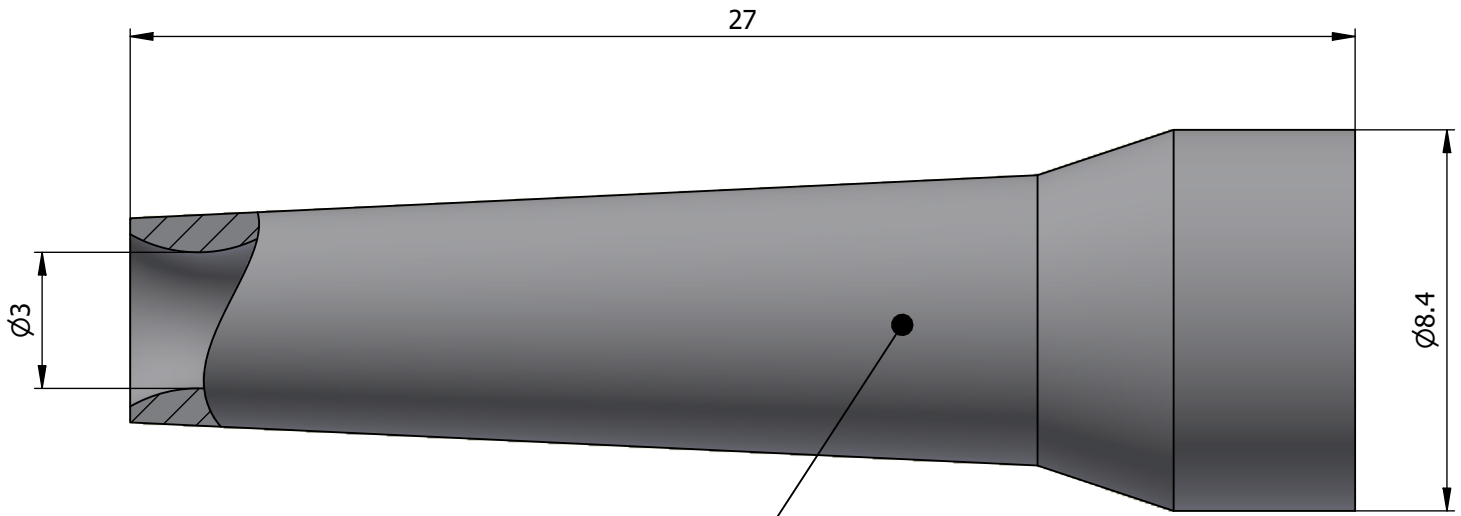
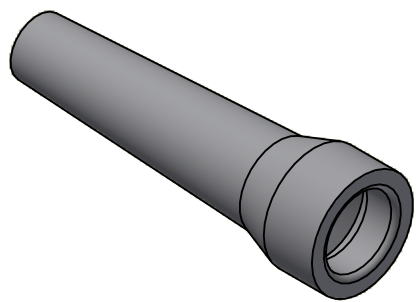




All dimensions are in millimeters (mm)



Color defined in the datasheet



All additional information are documented on the datasheet (See below link or QR Code)
www.lemo.com/pdf/GMA.0B.030.RG.pdf

	Bend relief (Silicone), for cable Ø3.0min.-Ø3.4max. Series 0B		Drawn 21.04.2009 OVU/JPBA
			Checked 20.09.2024 OBAR
			Modified 01 20.09.2024/MARI
			DO NOT SCALE DRAWING
 LEMO SA Chemin des Champs-Courbes 28 1024 Ecublens - SWITZERLAND		Tel. (+41) 21 695 16 00 email : info@lemo.com www.lemo.com	CD
			GMA.0B.030.RG