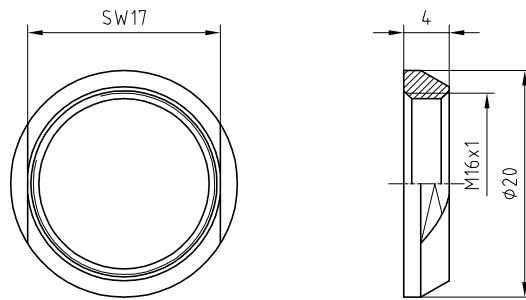


GEC.2F.240.P_



Conical nut : Aluminium (AA 6262A) or (AA 6023) Anodized various colors

REF.	COLOUR
A	Blue
J	Yellow
R	Red
V	Green

The last letter of the part number indicates the colour of the anodized . See adjacent table and complete the reference by the letter of the colour required .

Conical nut .
Series 2F .

ETUDE N° E2324.2F

Echelle —	Dessiné	04.10.2007	OVU / RMO
	Contrôle	12.07.2016	NHA / ATVI
	Modif.	01	12.07.2016/ OVU



LEMO SA

CH-1024 Ecublens

GEC.2F.240.R_