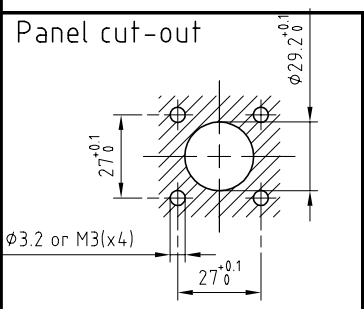


Outer shells	: Brass (UNS C38500)	Chrome plated (FS-QQ-C-320B)
Latch sleeve	: Special brass	Chrome plated (FS-QQ-C-320B)
Inner shell	: Brass (UNS C38500)	Nickel plated (FS-QQ-N-290A)
Front ring	: Brass (UNS C38500)	Chrome plated (FS-QQ-C-320B)
Collet nut	: Brass (UNS C38500)	Chrome plated (FS-QQ-C-320B)
Insulator	: PEEK-PDX-L-97024	-
Other metallic parts	: Brass (UNS C38500)	Nickel plated (FS-QQ-N-290A)
O-ring	: Silicone (MVQ)	-



Parts that must be ordered separately :
 Fiber-optic contact ref : FFS.F2.BB2.LCT10 or ...E30 ferrule hole 126µm
 Fiber-optic contact ref : FFS.F2.BA2.LCT10 or ...E30 ferrule hole 125µm

Assembly instruction per document n° __

**Straight plug , round flange , with key (G) ,
 4 holes fixing .
 Series 4K , 4FO(typeF2)**

ETUDE N° E2592

Echelle —	Dessiné	17.05.05	OVU / RMO
	Contrôle	17.05.05	RMO / CDE
	Modif.	00	17.05.05 / OVU



FXG.4K.03C.CLZ