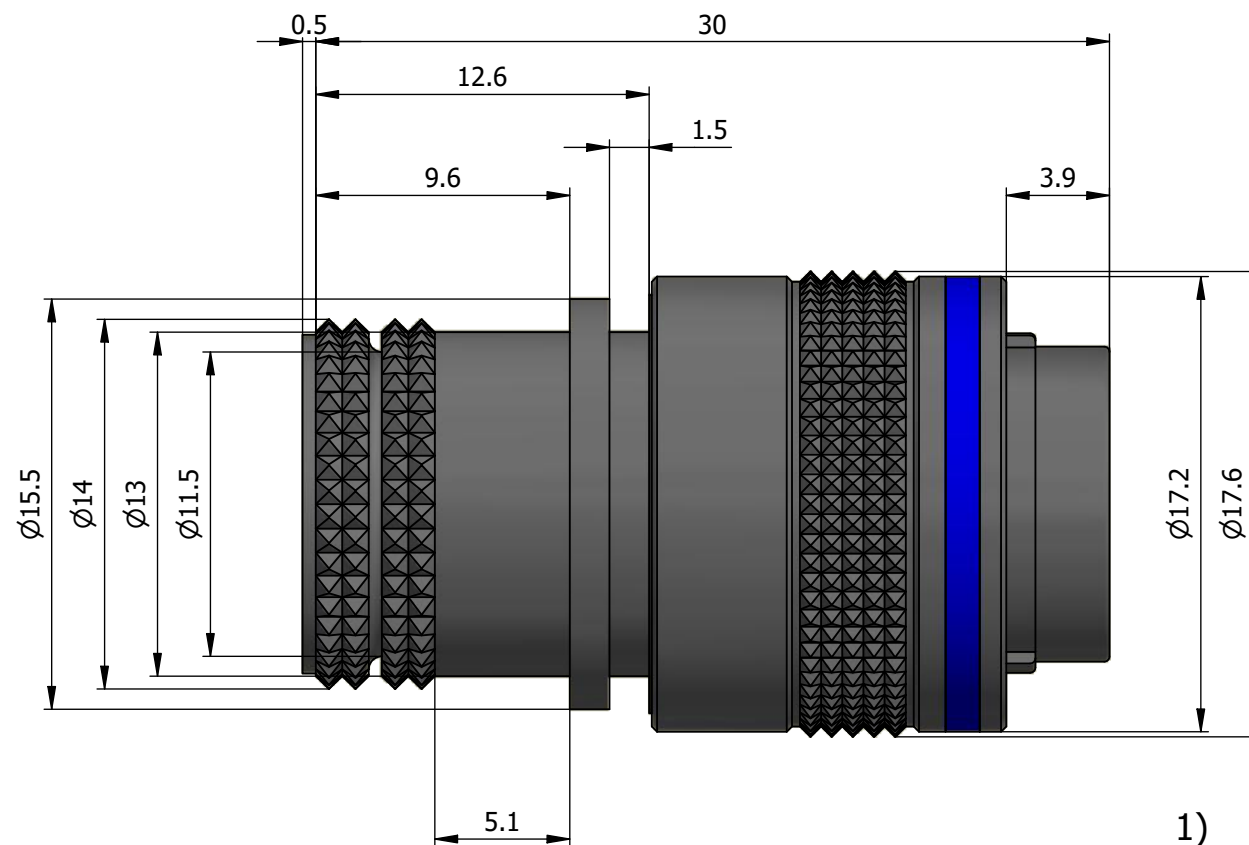
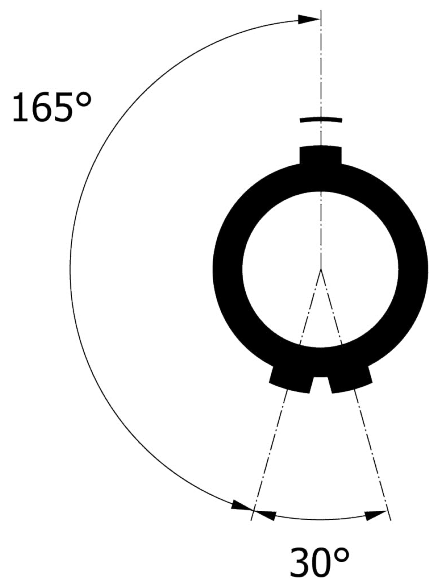
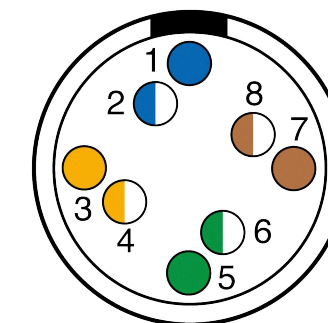


All dimensions are in millimeters (mm)

Alignment Key
Front View



Insert Configuration
Rear View



Note:

1) This picture is generic and for illustrative purposes only, and may show different keying, materials, colour, finish, and contact configuration. Minor shape or feature variations to actual item may be present.

All additional information are documented on the datasheet (See below link or QR Code)
www.lemo.com/pdf/FMN.2M.514.XLBT6.pdf

Model	Alignment Key	Series	Insert Config.	Housing	Insulator	Contact	Variant	Cable Ø
FMN.2M.514.XLBT6								

Datasheet



Straight plug, with knurled grip and mold stop
Series 2M

LEMO
LEMO SA
Chemin des Champs-Courbes 28
1024 Ecublens - SWITZERLAND

Tel. (+41 21) 695 16 00
email : info@lemo.com
www.lemo.com

CD

Drawn	28.10.2022	MARI / MARI
Checked	28.10.2022	MARI
Modified	00	28.10.2022 / MARI
DO NOT SCALE DRAWING		

FMN.2M.514.XLBT6