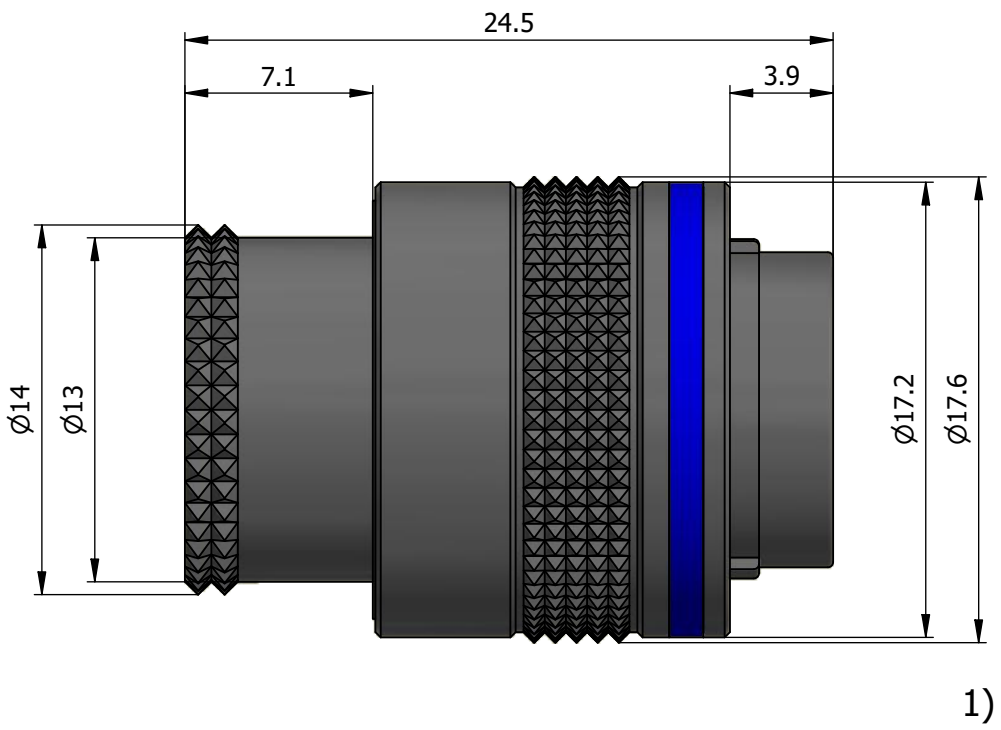
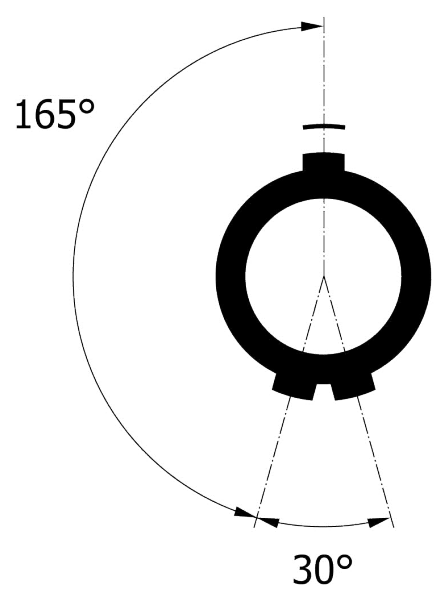
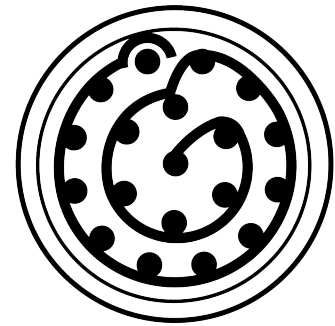


All dimensions are in millimeters (mm)

Alignment Key  
Front View



Insert Configuration  
Rear View



**Note:**

1) This picture is generic and for illustrative purposes only, and may show different keying, materials, colour, finish, and contact configuration. Minor shape or feature variations to actual item may be present.

All additional information are documented on the datasheet (See below link or QR Code)  
[www.lemo.com/pdf/FMN.2M.319.XLC.pdf](http://www.lemo.com/pdf/FMN.2M.319.XLC.pdf)

Model Alignment Key Series Insert Config. Housing Insulator Contact Variant  
**FMN.2M.319.XLC**

 Datasheet	<b>Straight plug, with knurled grip</b> Series 2M		Drawn 21.10.2021 MARI/OBAR
	 LEMO SA Chemin des Champs-Courbes 28 1024 Ecublens - SWITZERLAND		Checked 21.10.2021 CDE
	Tel. (+41 21) 695 16 00 email : info@lemo.com www.lemo.com		Modified 00 21.10.2021/MARI
	CD		DO NOT SCALE DRAWING

**FMN.2M.319.XLC**