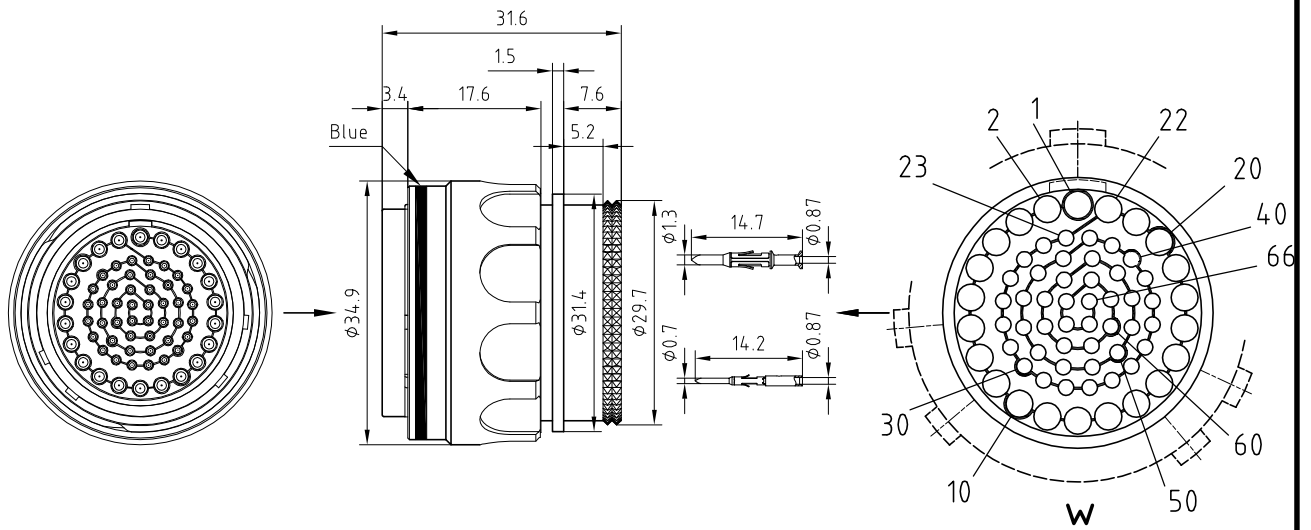


FGW.5M.366.XRWT44



Outer shells	: Aluminium (AA 6262A) or (AA 6023) Anthracite nickel	
Latch nut	: Aluminium (AA 6262A) or (AA 6023) Anthracite nickel	
Insulator	: PEEK	-
Ratchets	: PEEK-Carbon	-
Grommet	: Fluorosilicone (FVMQ)	Blue
Mâle contacts ($\phi 0.7 + \phi 1.3$)	: Brass (UNS C34500)	Gold plated (ISO 27874)
Clip	: Cu-Be (UNS C17200)	-
Clip + Spring	: Stainless steel	-
Other metallic part	: Brass (UNS C38500)	Nickel plated (FS-QQ-N-290A)

Crimping tool	: DPC.91.701.V
Extractor	: DCF.93.070.4LT
Male contact ($\phi 0.7$)	: FGN.0M.555.ZZC
Male positioner	: DCE.91.070.5MVC
Male retention testing tool	: DCK.91.071.0LRC
-	: -
Crimping tool	: DPC.91.701.V
Extractor	: DCF.93.131.4LT
Male contact ($\phi 1.3$)	: FGN.0M.567.ZZC
Male positioner	: DCE.91.130.5MVG
Male retention testing tool	: DCK.91.132.5LRC
-	: -

**Straight plug , with keys (W) ,
with artic grip and mold stop .
Series 5M , multipole 44LV($\phi 0.7$) + 22LV($\phi 1.3$)**

ETUDE N° E6367-E6344-E10888-E4282-E6319

Echelle —	Dessiné	01.09.2016	OVU / NHA
	Contrôle	05.09.2016	NHA / ATVI
	Modif.	01	05.09.2016/ OVU



LEMO

CH-1024 Ecublens

FGW.5M.366.XRWT44