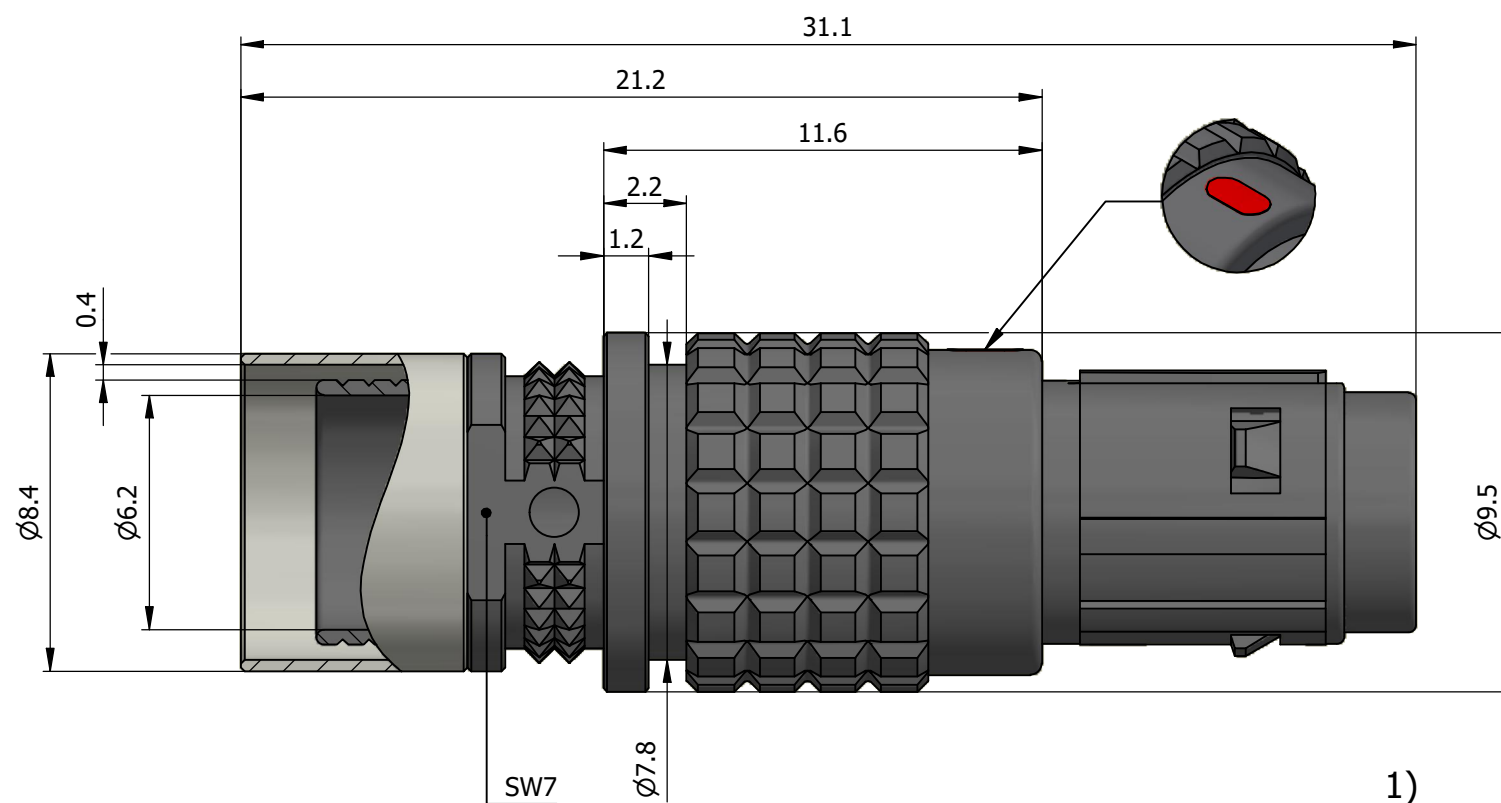
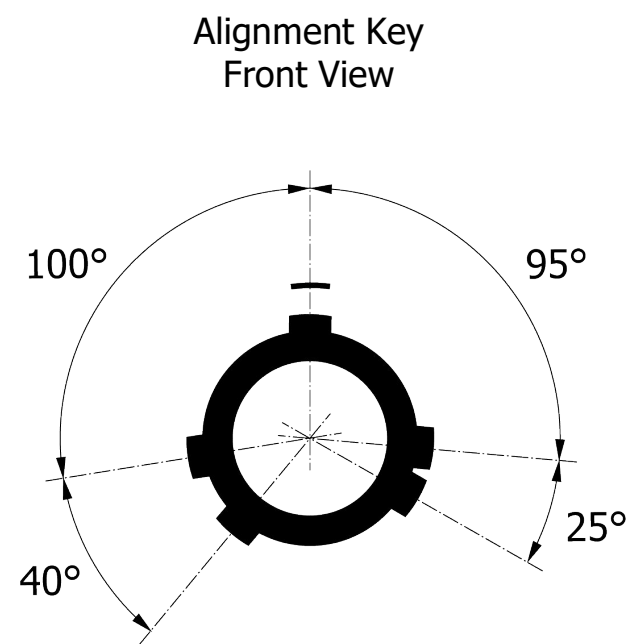
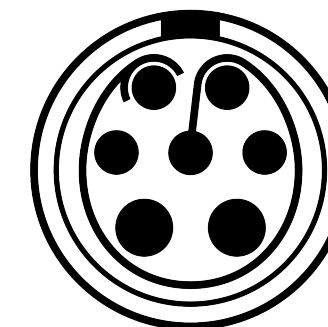


All dimensions are in millimeters (mm)



Insert Configuration
Rear View



Note:

1) This picture is generic and for illustrative purposes only, and may show different keying, materials, colour, finish, and contact configuration. Minor shape or feature variations to actual item may be present.

All additional information are documented on the datasheet (See below link or QR Code)
www.lemo.com/pdf/FGR.0D.307.FRAE64.pdf

| | | | | | | | | | |
|-------|---------------|--------|----------------|---------|-----------|---------|-------------|------------|---------|
| Model | Alignment Key | Series | Insert Config. | Housing | Insulator | Contact | Collet Type | Cable Code | Variant |
| FGR | .0D | .307 | .FRAE | 64 | | | | | |

Datasheet



Straight plug, Push-pull, cable crimping, for overmolding

Series 0D

LEMO
 LEMO SA
 Chemin des Champs-Courbes 28
 1024 Ecublens - SWITZERLAND

Tel. (+41) 21 695 16 00
 email : info@lemo.com
 www.lemo.com

CD

| | | |
|----------------------|------------|-------------------|
| Drawn | 06.09.2024 | MARI / MARI |
| Checked | 10.10.2025 | OBAR |
| Modified | 04 | 10.10.2025 / MARI |
| DO NOT SCALE DRAWING | | |

FGR.0D.307.FRAE64