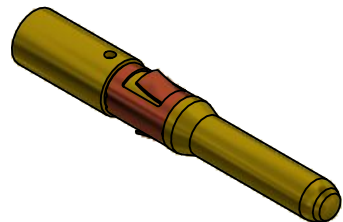
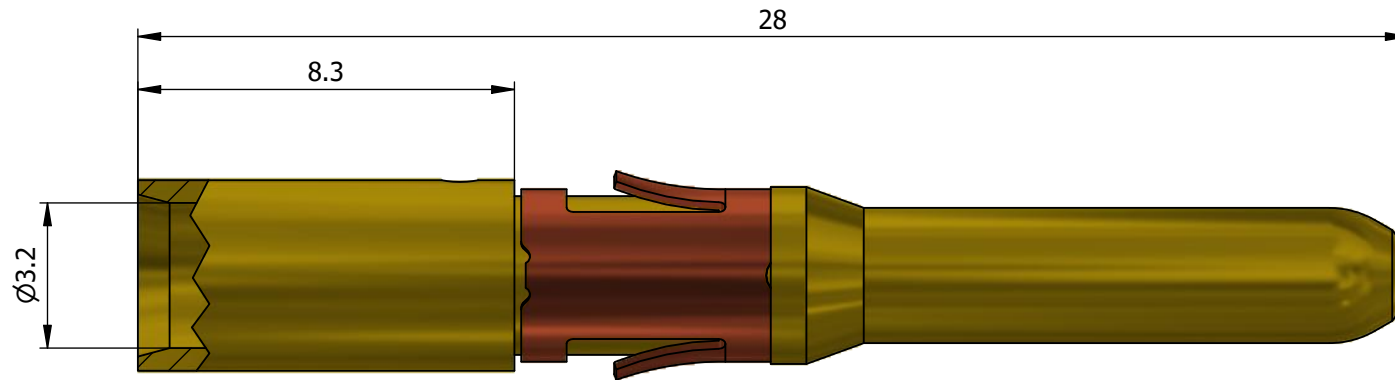


All dimensions are in millimeters (mm)



All additional information are documented on the datasheet (See below link or QR Code)  
[www.lemo.com/pdf/FGG.5B.580.ZZC.pdf](http://www.lemo.com/pdf/FGG.5B.580.ZZC.pdf)

Datasheet



**Male crimp contact  $\varnothing 3.0$  with clip**  
 Series 5B



LEMO SA  
 Chemin des Champs-Courbes 28  
 1024 Ecublens - SWITZERLAND

Tel. (+41 21) 695 16 00  
 email : info@lemo.com  
 www.lemo.com

CD

Drawn	15.12.2022	MARI/OBAR
Checked	15.12.2022	OBAR
Modified	00	15.12.2022/MARI
DO NOT SCALE DRAWING		

**FGG.5B.580.ZZC**