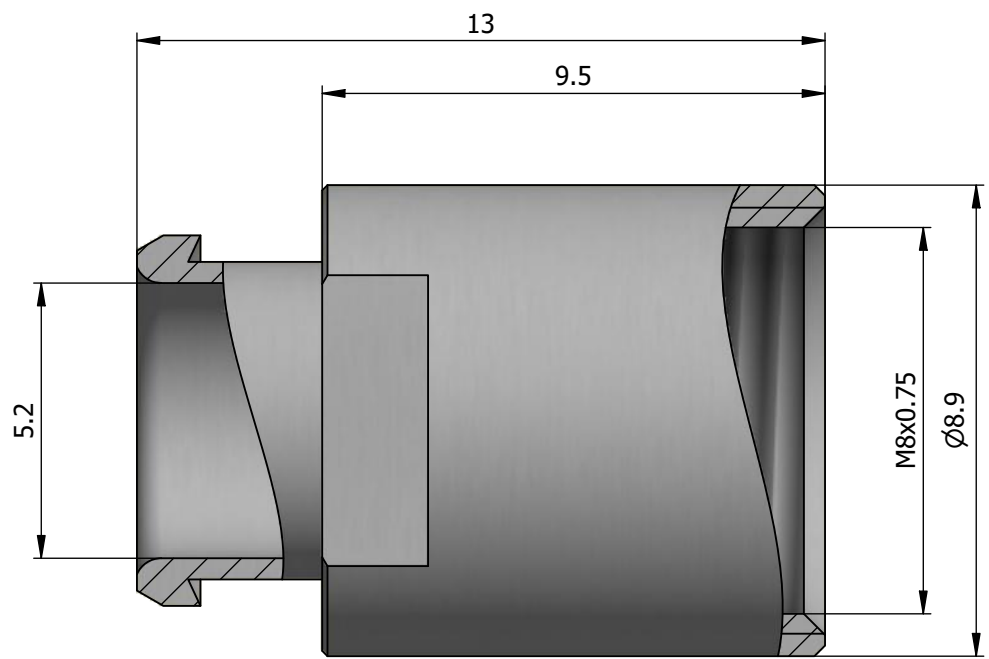


All dimensions are in millimeters (mm)



**Collet nut for collet  $\phi 5.2\text{max.}$**

Series 0E

Drawn	20.10.2022	MARI/OBAR
Checked	20.10.2022	OBAR
Modified	00	20.10.2022/MARI
DO NOT SCALE DRAWING		



LEMO SA  
Chemin des Champs-Courbes 28  
1024 Ecublens - SWITZERLAND

Tel. (+41 21) 695 16 00  
email : info@lemo.com  
www.lemo.com

CD

**FFM.0E.130.LC**