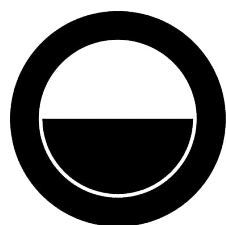
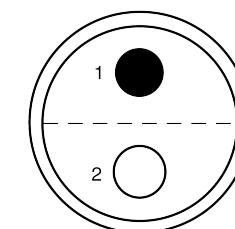


All dimensions are in millimeters (mm)

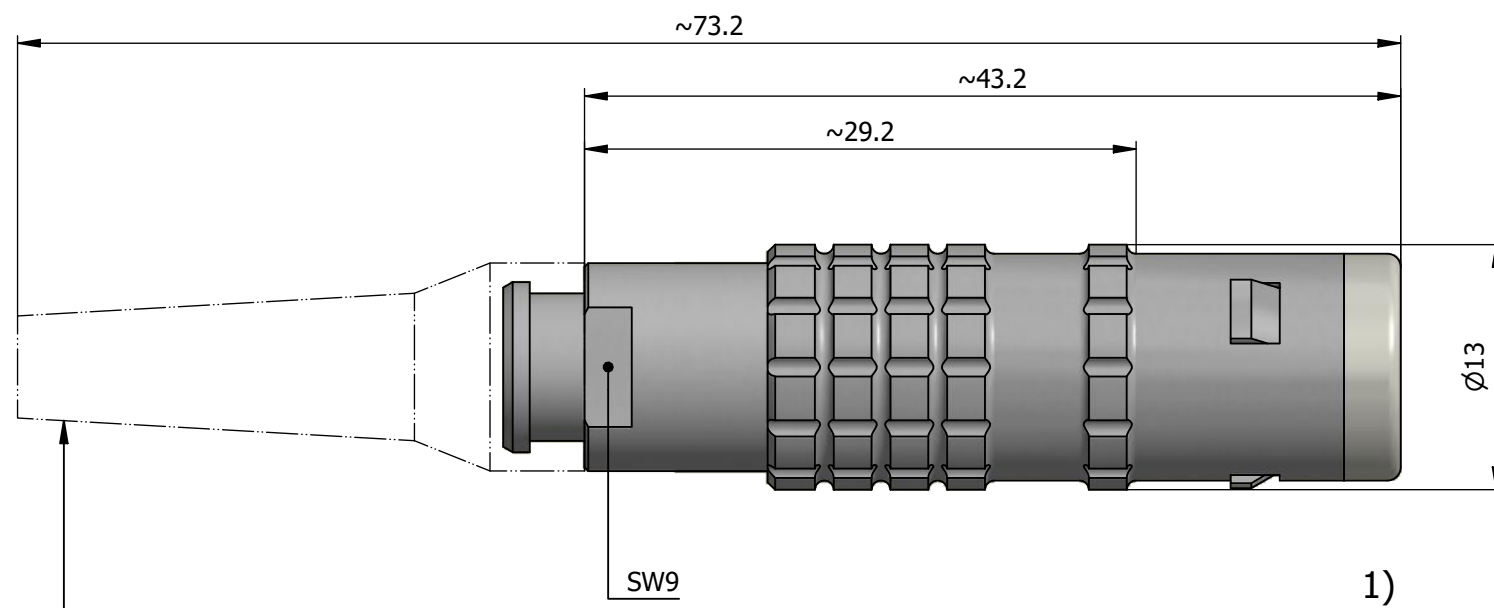
Alignment Key
Front View



Insert Configuration
Rear View



Contact 1: Alumel (-)
Contact 2: Chromel (+)



bend relief has to be ordered separately

Note:

1) This picture is generic and for illustrative purposes only, and may show different keying, materials, colour, finish, and contact configuration. Minor shape or feature variations to actual item may be present.

All additional information are documented on the datasheet (See below link or QR Code)
www.lemo.com/pdf/FFA.1E.302.CLKC60Z.pdf

Model	Series	Insert Config.	Housing	Insulator	Contact	Collet Type	Cable Ø	Variant
FFA	1E	302	CL	KC	60	Z		

<p>Datasheet</p>	<p>Straight plug, cable collet and nut for fitting a bend relief</p> <p>Series 1E</p>		<p>Drawn 17.08.2022 MARI / MARI</p>
	<p>LEMO SA Chemin des Champs-Courbes 28 1024 Ecublens - SWITZERLAND</p>		<p>Checked 17.08.2022 OBAR</p>
	<p>Tel. (+41) 21 695 16 00 email : info@lemo.com www.lemo.com</p>		<p>Modified 00 17.08.2022 / MARI</p>
<p>CD</p>			<p>DO NOT SCALE DRAWING</p>
<p>FFA.1E.302.CLKC60Z</p>			