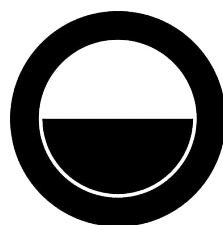
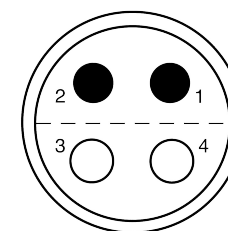


All dimensions are in millimeters (mm)

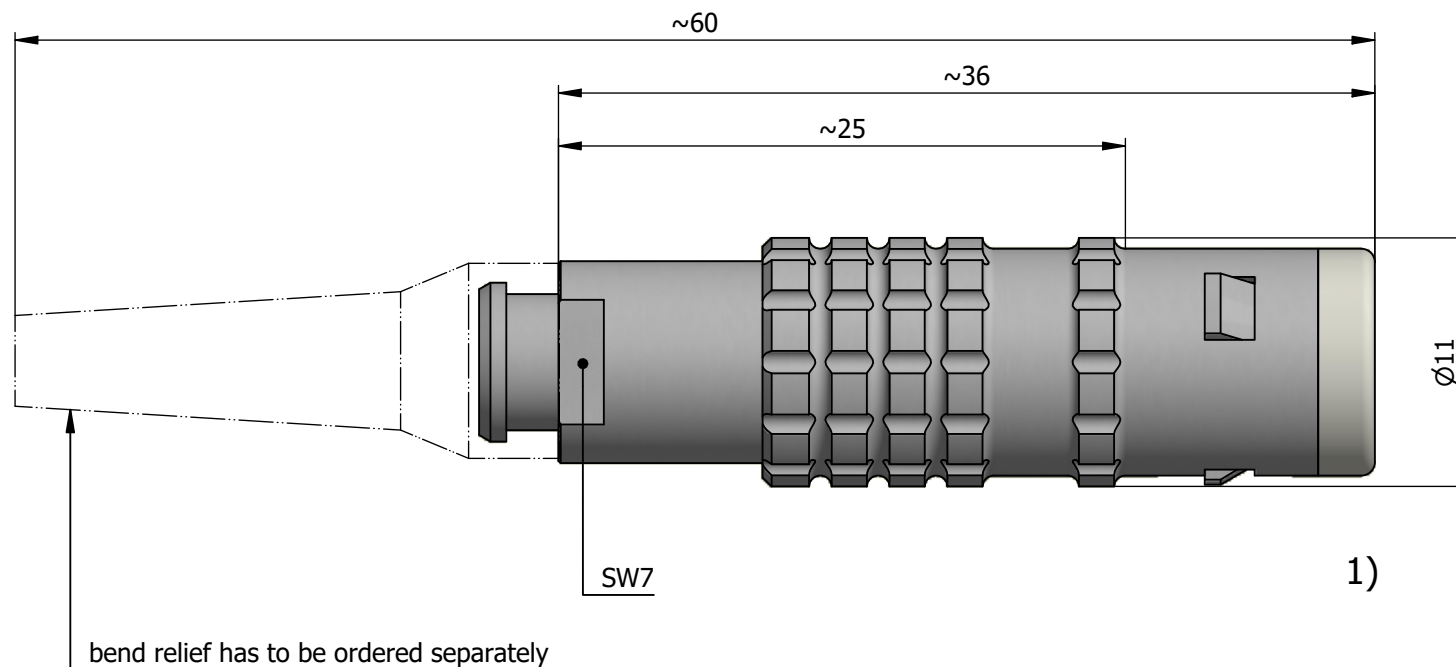
Alignment Key
Front View



Insert Configuration
Rear View



Contact 1, 3: Chromel (+)
Contact 2, 4: Alumel (-)



Note:

1) This picture is generic and for illustrative purposes only, and may show different keying, materials, colour, finish, and contact configuration. Minor shape or feature variations to actual item may be present.

All additional information are documented on the datasheet (See below link or QR Code)
www.lemo.com/pdf/FFA.0E.902.CYKC45Z.pdf

Model	Series	Insert Config.	Housing	Insulator	Contact	Collet Type	Cable Ø	Variant
FFA	.0E	.902						CYKC45Z

<p>Datasheet</p>	<p>Straight plug, cable collet and nut for fitting a bend relief</p> <p>Series 0E</p>		<p>Drawn 02.10.2024 MARI/MARI</p>
	<p>LEMO LEMO SA Chemin des Champs-Courbes 28 1024 Ecublens - SWITZERLAND</p>		<p>Checked 02.10.2024 OBAR</p>
	<p>Tel. (+41) 21 695 16 00 email : info@lemo.com www.lemo.com</p>		<p>Modified 00 02.10.2024/MARI</p>
<p>CD</p>			<p>DO NOT SCALE DRAWING</p>
<p>FFA.0E.902.CYKC45Z</p>			