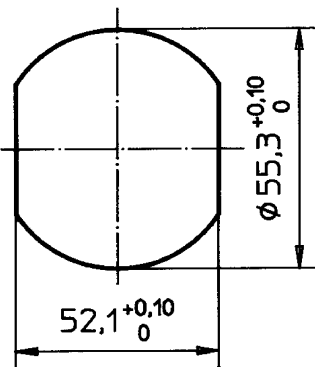


Panel hole



9	O-Ring	Viton	-----
8	Nut	AISI303	-----
7	Retaining ring	Brass	Cu(0,5)-Ni(3)
6	Inner shell	Brass	Cu(0,5)-Ni(3)
5	Shell (coax) (2x)	Brass	Cu(0,5)-Ni(3)
5	Insert (coax) (2x)	PEEK	-----
5	Contact (coax) (2x)	Bronze	Cu(0,5)-Ni(3)-Au(1,5)
4	Male contact $\phi 2$ (12x)	Brass	Cu(0,5)-Ni(3)-Au(1,5)
3	Male contact $\phi 3$ (1x)	Brass	Cu(0,5)-Ni(3)-Au(1,5)
2	Insert	PEEK	-----
1	Outershell	AISI303	-----
N°	Specification	Material	Treatment (micron)

sur plats ext. -0,05
sur plats int. +0,05

Mal rond 0,05
Rayon $\pm 0,1$

MATIERE

SURFACE

TRAITEMENT

Straight plug

Echelle

Dessiné

31.07.90

X.K / R.M

Contrôle

31.07.90

G.L / R.M

Modif.

ETUDE N° 1822



1024 Ecublens



FAG.6E.843.SLA