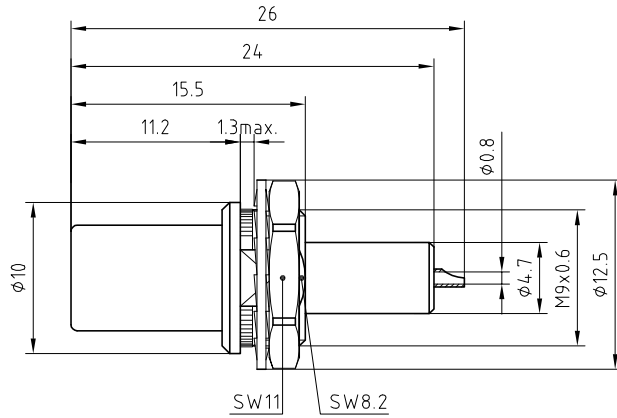
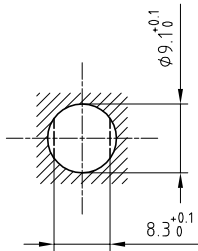


DANGER



Outer shell	: Brass (UNS C38500)	Chrome plated (FS-QQ-C-320B)
Insulator	: PTFE	-
Male contact	: Brass (UNS C38500)	Gold plated (ISO 27874)
Locking washer	: Bronze (UNS C52100)	Nickel plated (FS-QQ-N-290A)
Other metallic parts	: Brass (UNS C38500)	Nickel plated (FS-QQ-N-290A)
Label	: Polyester	Yellow

Panel cut-out



Torque for mounting nut : 2.5 Nm

Spanner for nut : DCA.91.161.1TN or
Spanner for nut : DCG.91.161.1TN

**Straight plug , non-latching , nut fixing .
Series OS , (1) HV($\phi 0.9$)**

Echelle	Dessiné	09.01.2015	OVU / NHA
	Contrôle	09.01.2015	NHA / ATVI
	Modif.	00	09.01.2015/ OVU

ETUDE N° E7198



LEMO

CH-1024 Ecublens

FAA.OS.403.CTA