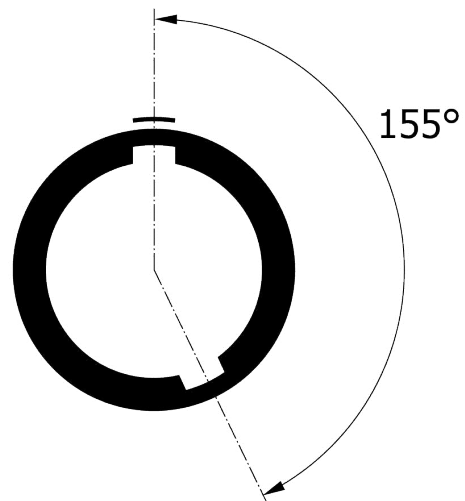
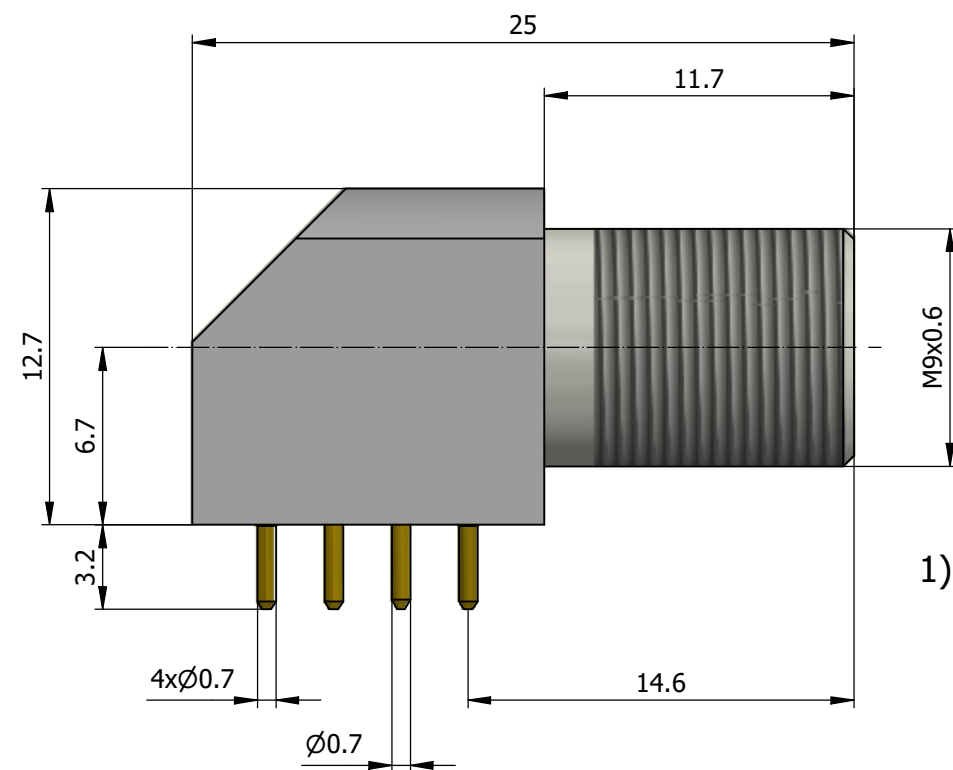
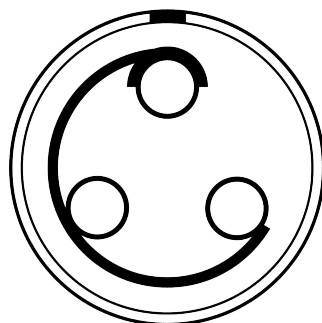


All dimensions are in millimeters (mm)

Alignment Key
Front View

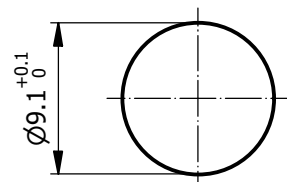


Insert Configuration
Front View



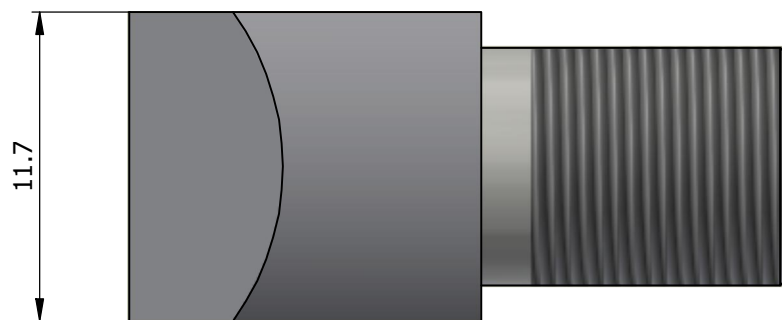
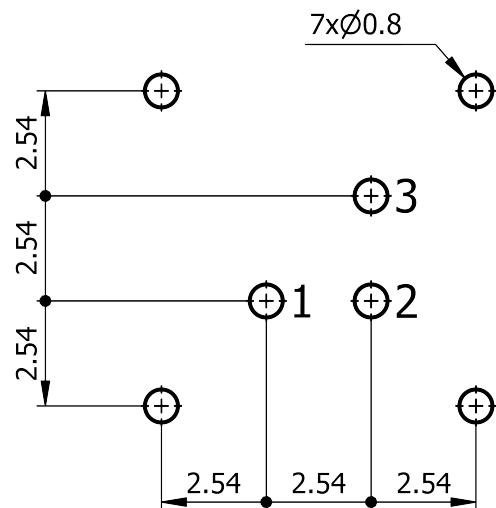
1)

Recommended Panel Cut-Out



Mounting nut torque (Nm)
Metal shell = 2.5
Plastic shell = 0.4

Recommended PCB Layout
PCB Top View



Note:

1) This picture is generic and for illustrative purposes only, and may show different keying, materials, colour, finish, and contact configuration. Minor shape or feature variations to actual item may be present.

All additional information are documented on the datasheet (See below link or QR Code)
www.lemo.com/pdf/EXF.0B.303.HLNZ.pdf

Model Alignment Key Series Insert Config. Housing Insulator Contact Variant
EXF.0B.303.HLNZ

Datasheet



Elbow socket without nuts, for PCB (solder fixing, back panel mounting)

Series 0B



Tel. (+41 21) 695 16 00
email : info@lemo.com
www.lemo.com

CD

Drawn	30.04.2007	OVU / RMO
Checked	07.01.2025	OBAR
Modified	01	07.01.2025 / MARI
DO NOT SCALE DRAWING		

EXF.0B.303.HLNZ