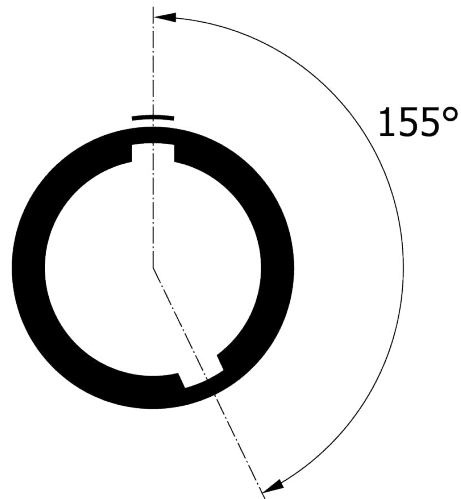
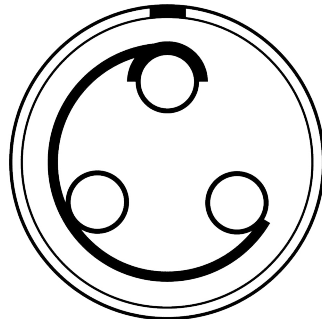


All dimensions are in millimeters (mm)

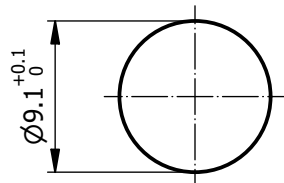
Alignment Key
Front View



Insert Configuration
Front View

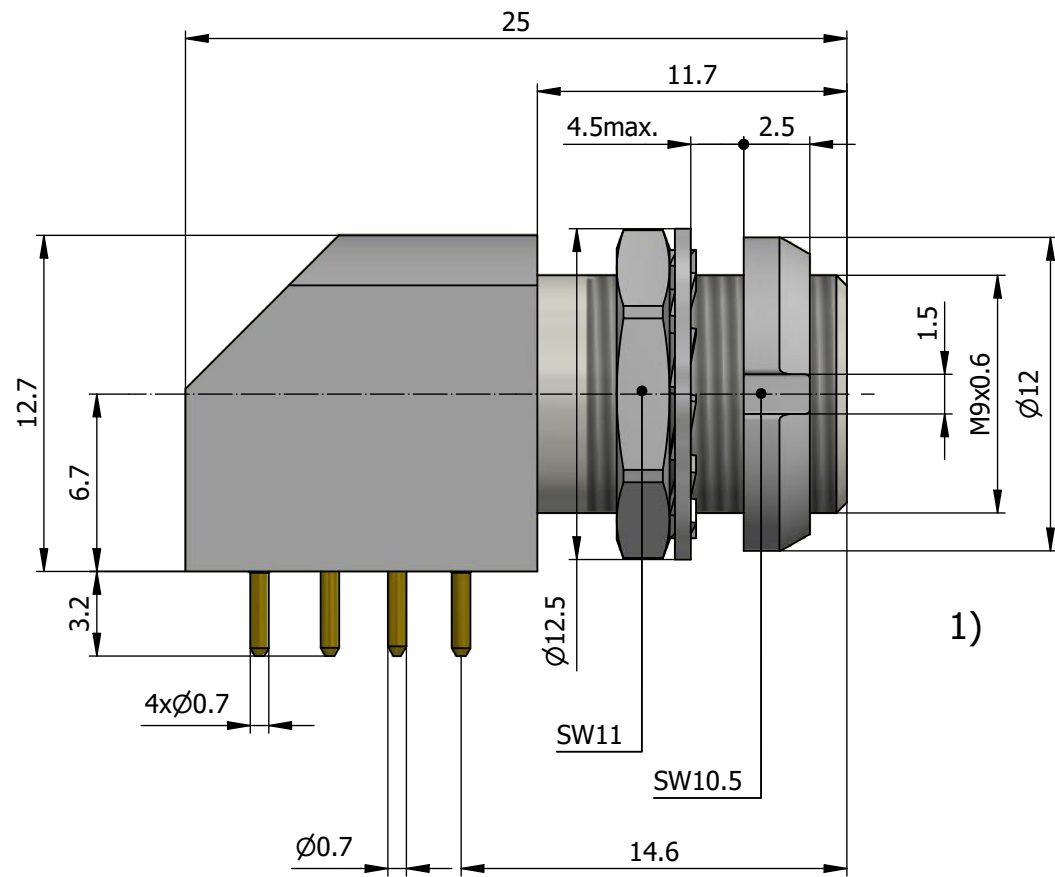
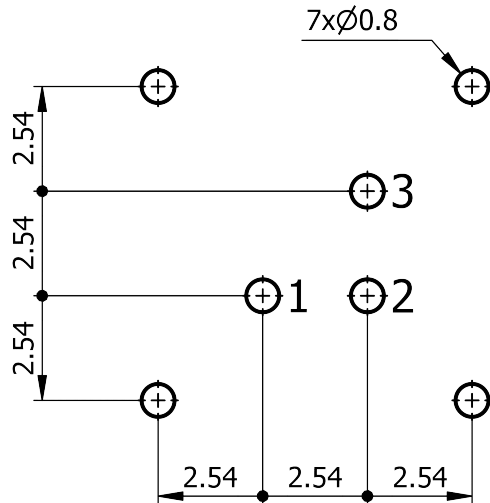


Recommended Panel Cut-Out

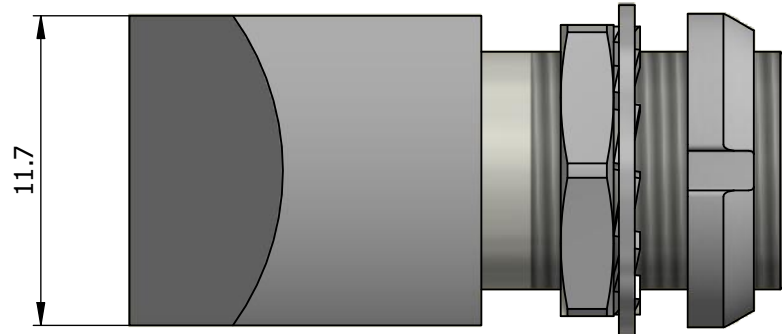


Mounting nut torque (Nm)
Metal shell = 2.5
Plastic shell = 0.4

Recommended PCB Layout
PCB Top View



1)



Note:

1) This picture is generic and for illustrative purposes only, and may show different keying, materials, colour, finish, and contact configuration. Minor shape or feature variations to actual item may be present.

All additional information are documented on the datasheet (See below link or QR Code)
www.lemo.com/pdf/EXF.0B.303.HLN.pdf

Model Alignment Key Series Insert Config. Housing Insulator Contact
EXF.0B.303.HLN

Datasheet



Elbow socket with two nuts, for PCB (solder fixing, back panel mounting)
Series 0B

LEMO LEMO SA
Chemin des Champs-Courbes 28
1024 Ecublens - SWITZERLAND

Tel. (+41 21) 695 16 00
email : info@lemo.com
www.lemo.com

CD

Drawn	08.02.2022	MARI / MARI
Checked	10.02.2022	OBAR
Modified	00	10.02.2022 / MARI
DO NOT SCALE DRAWING		

EXF.0B.303.HLN