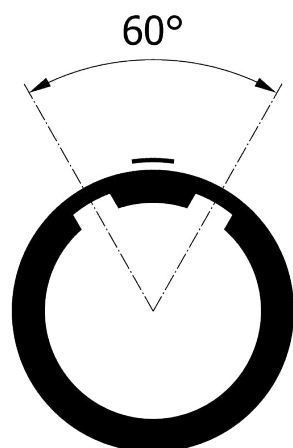
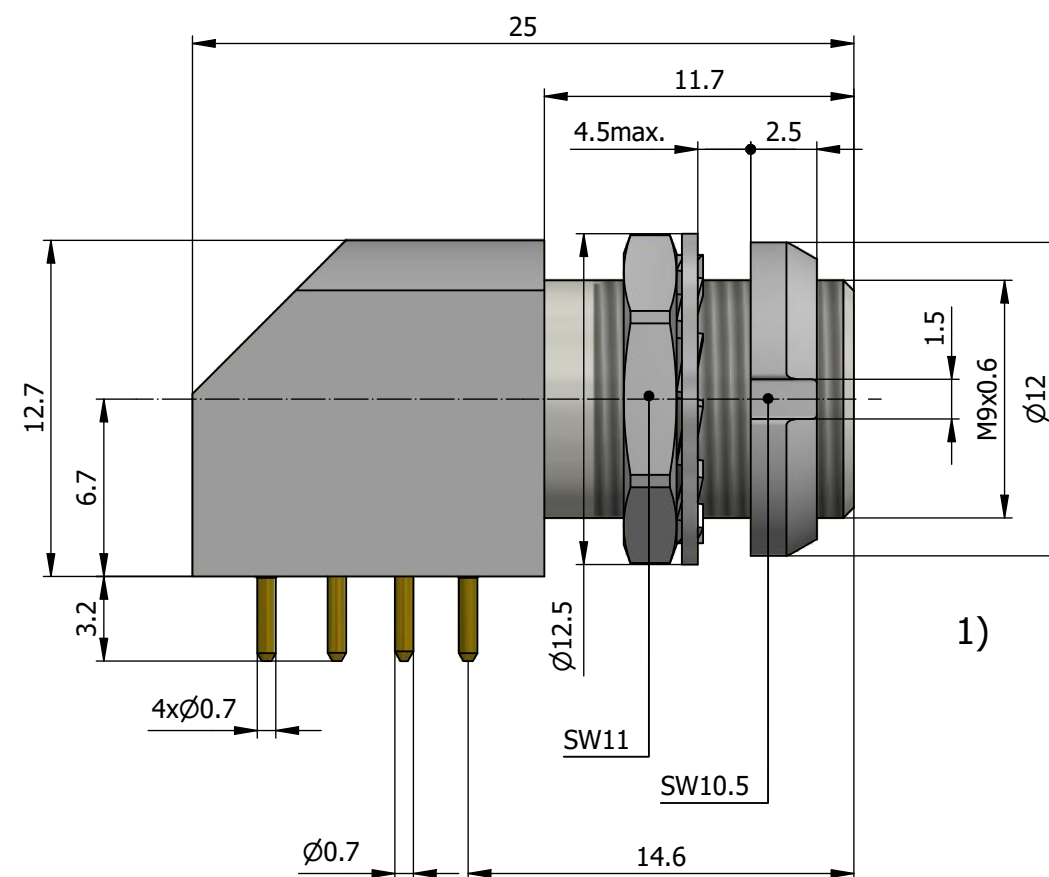
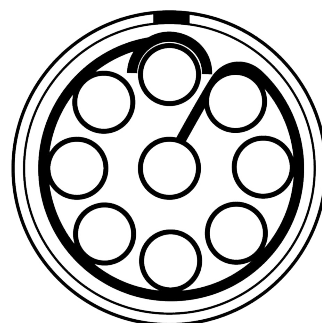


All dimensions are in millimeters (mm)

Alignment Key  
Front View

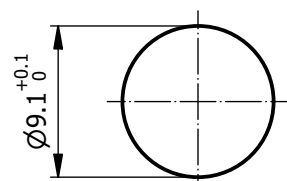


Insert Configuration  
Front View



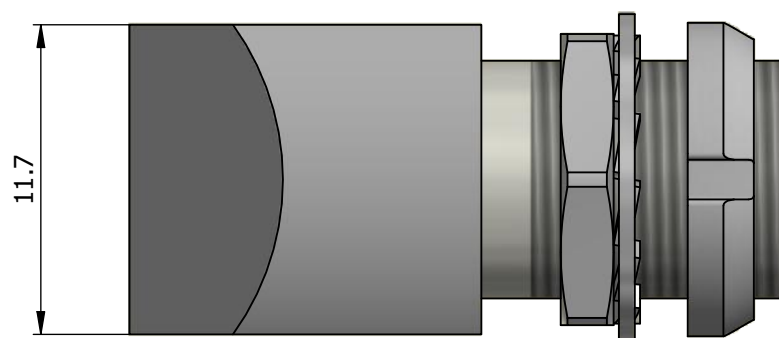
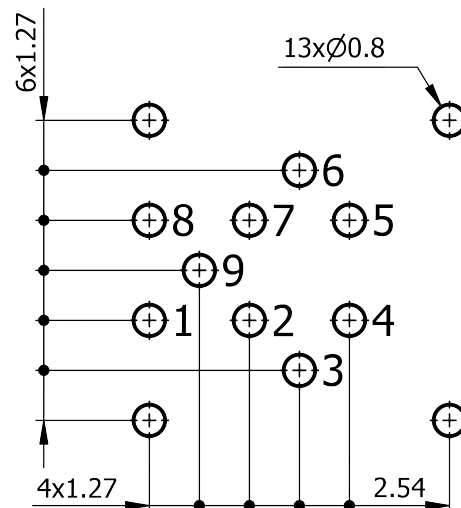
1)

Recommended Panel Cut-Out



Mounting nut torque (Nm)  
Metal shell = 2.5  
Plastic shell = 0.4

Recommended PCB Layout  
PCB Top View



**Note:**

1) This picture is generic and for illustrative purposes only, and may show different keying, materials, colour, finish, and contact configuration. Minor shape or feature variations to actual item may be present.

All additional information are documented on the datasheet (See below link or QR Code)  
[www.lemo.com/pdf/EXB.0B.309.HLN.pdf](http://www.lemo.com/pdf/EXB.0B.309.HLN.pdf)

Model Alignment Key Series Insert Config. Housing Insulator Contact  
**EXB.0B.309.HLN**

Datasheet



**Elbow socket with two nuts, for PCB (solder fixing, back panel mounting)**

Series 0B



Tel. (+41 21) 695 16 00  
email : info@lemo.com  
www.lemo.com

CD

Drawn	08.02.2022	MARI / MARI
Checked	10.02.2022	OBAR
Modified	00	10.02.2022 / MARI
DO NOT SCALE DRAWING		

**EXB.0B.309.HLN**