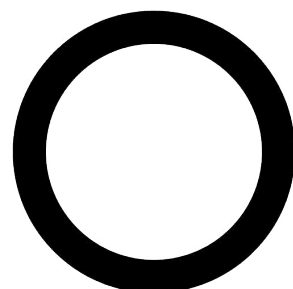
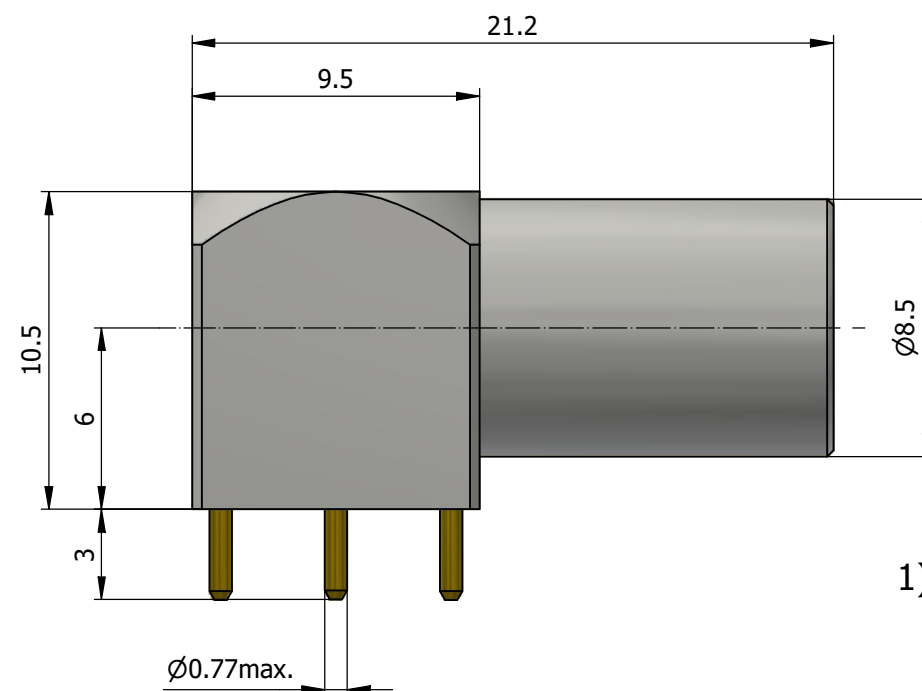
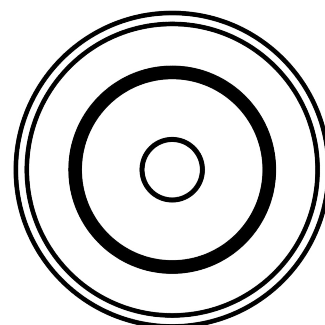


All dimensions are in millimeters (mm)

Alignment Key
Front View

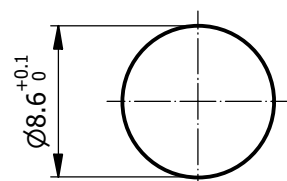


Insert Configuration
Front View

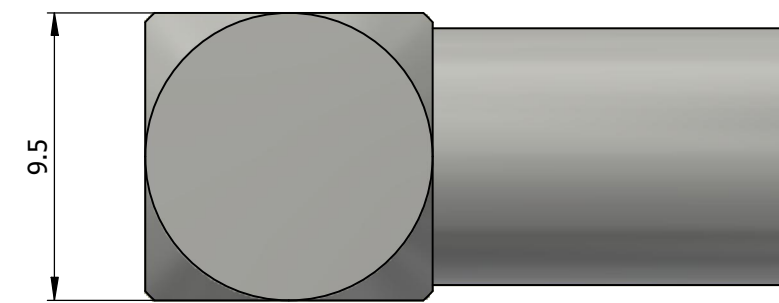
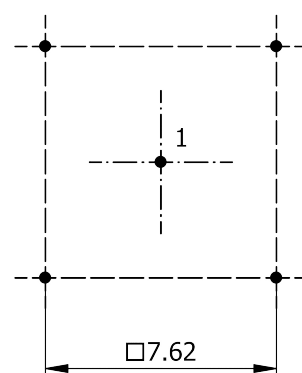


1)

Recommended Panel Cut-Out



Recommended PCB Layout
PCB Top View



Note:

1) This picture is generic and for illustrative purposes only, and may show different keying, materials, colour, finish, and contact configuration. Minor shape or feature variations to actual item may be present.

All additional information are documented on the datasheet (See below link or QR Code)
www.lemo.com/pdf/EPL.0A.275.NTN.pdf

Model Series Insert Config. Housing Insulator Contact Variant
EPL.0A.275.NTN



Elbow socket, for PCB (solder fixing)
 Series 0A

LEMO LEMO SA
 Chemin des Champs-Courbes 28
 1024 Ecublens - SWITZERLAND
 Tel. (+41 21) 695 16 00
 email : info@lemo.com
 www.lemo.com

Drawn	13.03.2023	MARI / MARI
Checked	19.01.2026	OBAR
Modified	01	19.01.2026 / MARI
DO NOT SCALE DRAWING		

CD

EPL.0A.275.NTN