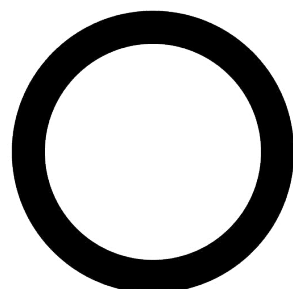
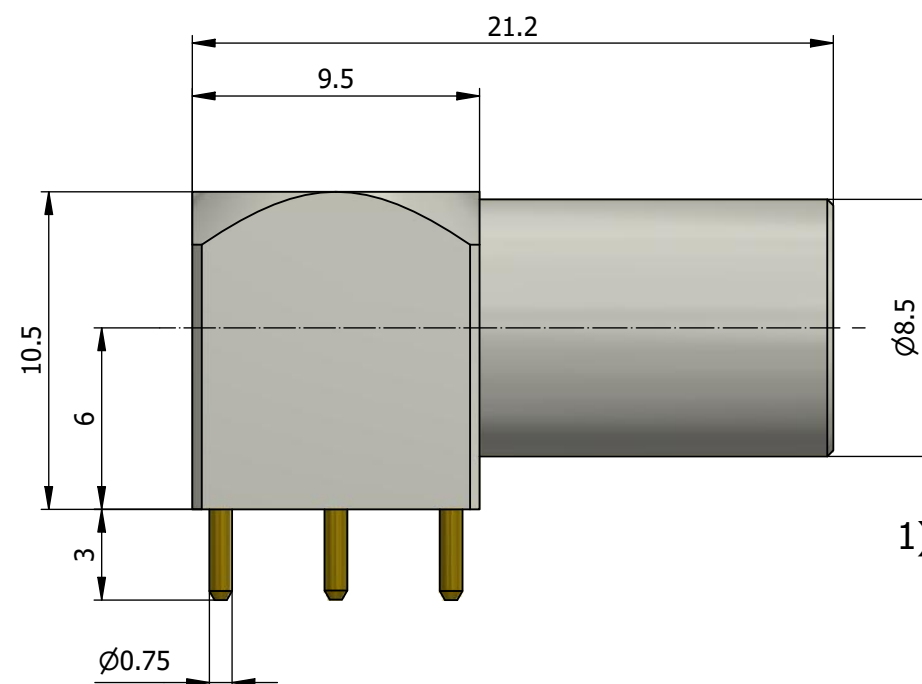
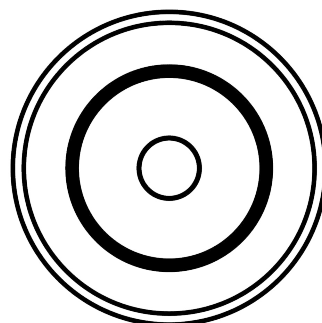


All dimensions are in millimeters (mm)

Alignment Key
Front View

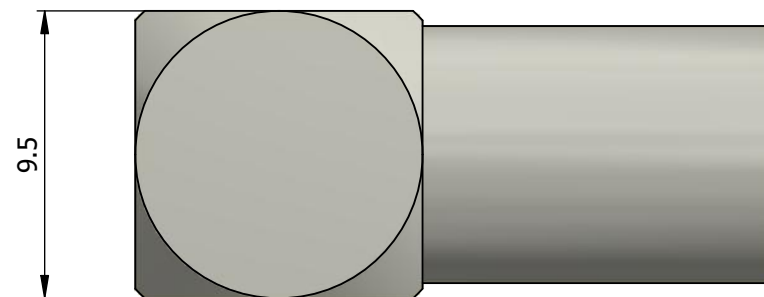
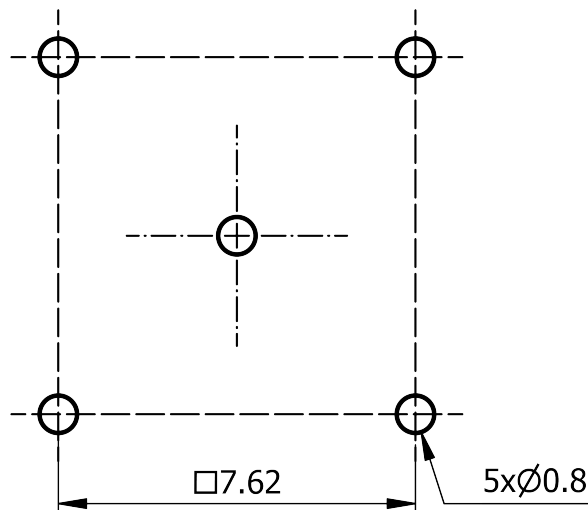


Insert Configuration
Front View



1)

Recommended PCB Layout
PCB Top View



Note:

1) This picture is generic and for illustrative purposes only, and may show different keying, materials, colour, finish, and contact configuration. Minor shape or feature variations to actual item may be present.

All additional information are documented on the datasheet (See below link or QR Code)
www.lemo.com/pdf/EPL.0A.275.NTN.pdf

Model Series Insert Config. Housing Insulator Contact Variant
EPL.0A.275.NTN

Datasheet



Elbow socket, for PCB (solder fixing)

Series 0A

LEMO
 LEMO SA
 Chemin des Champs-Courbes 28
 1024 Ecublens - SWITZERLAND

Tel. (+41 21) 695 16 00
 email : info@lemo.com
 www.lemo.com

CD

Drawn	13.03.2023	MARI / MARI
Checked	13.03.2023	OBAR
Modified	00	13.03.2023 / MARI
DO NOT SCALE DRAWING		

EPL.0A.275.NTN