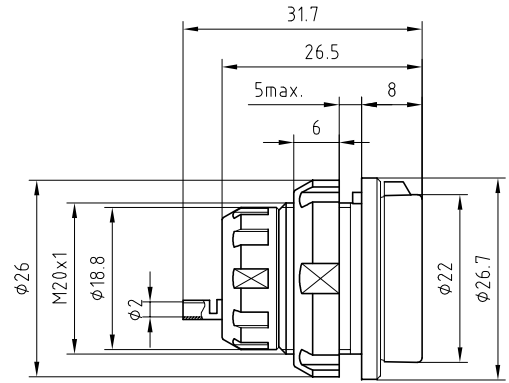
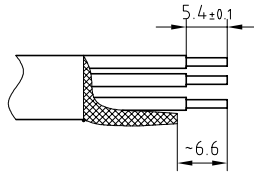
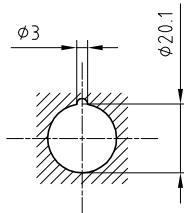


Stripping dimensions



Outer shell	: PSU	Grey
Coding ring	: PSU	Red
Round nut	: PSU	Grey
Insulator	: PEEK	-
Female contact (LT)	: Bronze (UNS C54400)	Gold plated (ISO 27874)
Grounding male contact	: Brass (UNS C34200)	Gold plated (ISO 27874)
Clip	: Cu-Be (UNS C17200)	-
Collet nut	: PSU	Grey

Panel cut-out



Torque for mounting nut : 1 Nm

Crimping tool : DPC.91.701.V
 Extractor : DCF.91.093.5LT
 Female contact : EGG.3P.660.ZZY
 Female positioner : DCE.91.093.PVM

Spanner for round nut : DCP.91.026.HN
 Spanner for collet nut : DCP.91.019.HN

**Fixed socket with key , nut fixing .
 Series 3P , 6LV(φ0.9) + Grounding**

Echelle	Dessiné	11.01.2018	OVU / NHA
	Contrôle	11.01.2018	NHA / ATVI
	Modif.	00	11.01.2018 / OVU

ETUDE N°



REDEL

Redel SA
 Rue du canal 2
 1450 Ste-Croix - SWITZERLAND

Tel. (+41 24) 455 25 00
 Fax. (+41 24) 455 25 01

EGG.3P.306.PLYR