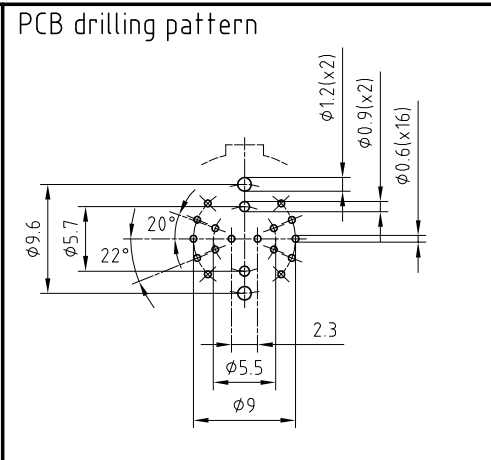
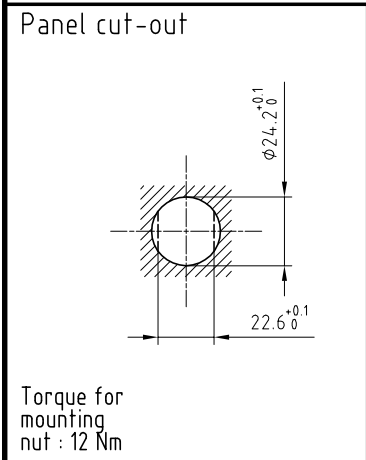


Outer shell	: Brass (UNS C38500)	Chrome plated (FS-QQ-C-320B)
Earthing crown	: Brass (UNS C38500)	Nickel plated (FS-QQ-N-290A)
Insulator	: PEEK	-
Female contact	: Bronze (UNS C54400)	Gold plated (ISO 27874)
Other metallic parts	: Brass (UNS C38500)	Nickel plated (FS-QQ-N-290A)
O-rings	: Silicone (MVQ)	-
Coax female sleeve	: Bronze (UNS C54400)	Gold plated (ISO 27874)
Coax insulator	: PTFE	-
Coax female contact	: Cu-Be (UNS C17300)	Gold plated (ISO 27874)
Coax insulating sleeve	: PTFE	-



**Fixed socket , with nut , with key (G) ,  
for PCB .  
Series 3K , 2coax50Ω (typeC) + 16LV(Ø0.7)**

ETUDE N° E6041-E1936B

Echelle —	Dessiné	06.12.2006	OVU / RMO
	Contrôle	21.11.2017	NHA / ATVI
	Modif.	02	21.11.2017 / OVU