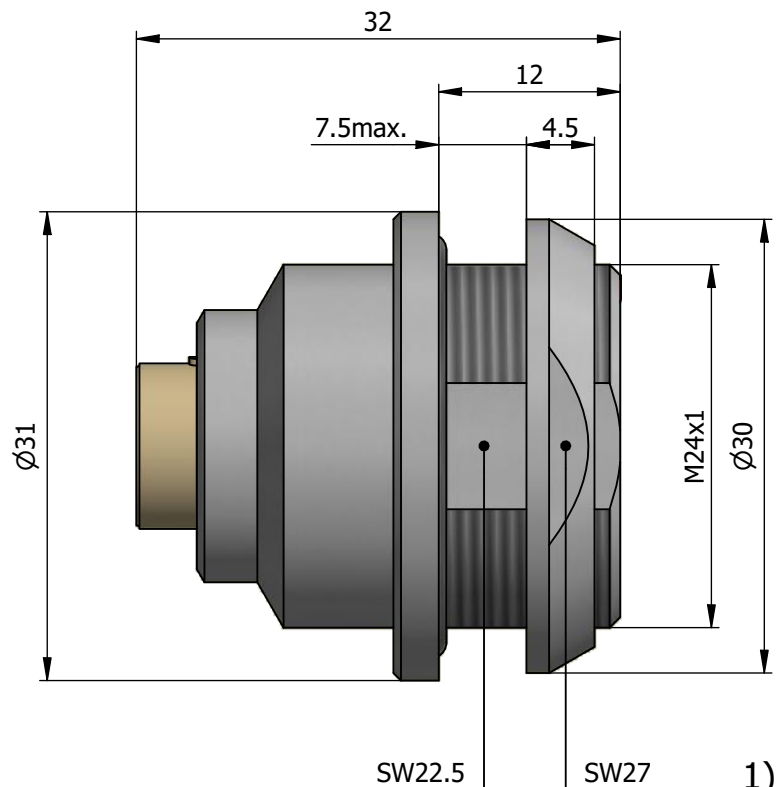
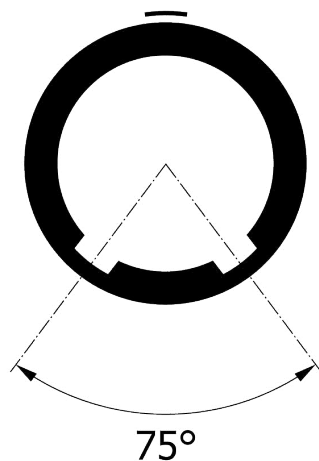
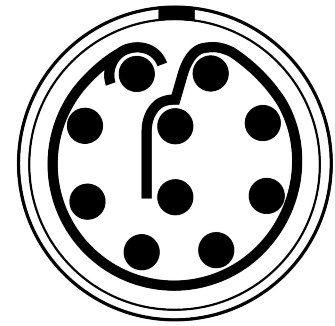


All dimensions are in millimeters (mm)

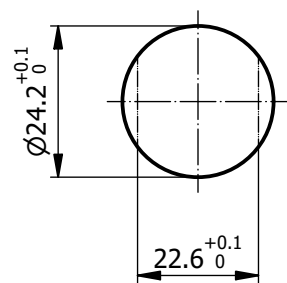
Alignment Key
Front View



Insert Configuration
Rear View



Recommended Panel Cut-Out



Mounting nut torque (Nm)
Metal shell = 12.0

Note:

1) This picture is generic and for illustrative purposes only, and may show different keying, materials, colour, finish, and contact configuration. Minor shape or feature variations to actual item may be present.

All additional information are documented on the datasheet (See below link or QR Code)
www.lemo.com/pdf/EEL.3K.310.CYC.pdf

Model Alignment Key Series Insert Config. Housing Insulator Contact Variant
EEL.3K.310.CYC

<p>Datasheet</p>	<p>Fixed socket, nut fixing (back panel mounting)</p> <p>Series 3K</p>		<p>Drawn 20.01.2022 MARI / MARI</p>
	<p> LEMO LEMO SA Chemin des Champs-Courbes 28 1024 Ecublens - SWITZERLAND</p>		<p>Checked 20.01.2022 OBAR</p>
	<p>Tel. (+41 21) 695 16 00 email : info@lemo.com www.lemo.com</p>		<p>Modified 00 20.01.2022 / MARI</p>
	<p>CD</p>		<p>DO NOT SCALE DRAWING</p>
<p>EEL.3K.310.CYC</p>			