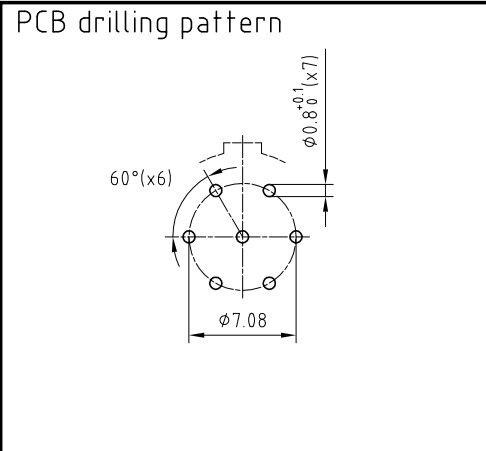
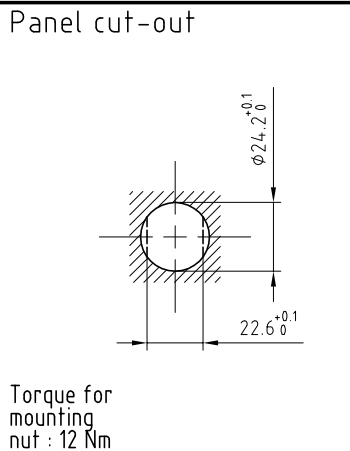


Outer shell	: Brass (UNS C38500)	Chrome plated (FS-QQ-C-320B)
Earthing crown	: Brass (UNS C38500)	Nickel plated (FS-QQ-N-290A)
Insulator	: PEEK	-
Female contact	: Bronze (UNS C54400)	Gold plated (ISO 27874)
Conical nut	: Brass (UNS C38500)	Chrome plated (FS-QQ-C-320B)
Other metallic part	: Brass (UNS C38500)	Nickel plated (FS-QQ-N-290A)
O-rings	: Silicone (MVQ)	-



**Fixed socket with nut fixing , with key (G) ,
for PCB . (Back panel mounting) .
Series 3K , multipole (7)**

ETUDE N° E1826

Echelle	Dessiné	18.11.2003	OVU / RMO
	Contrôle	05.09.2014	JPBA / ATVI
	Modif.	01	05.09.2014/ OVU