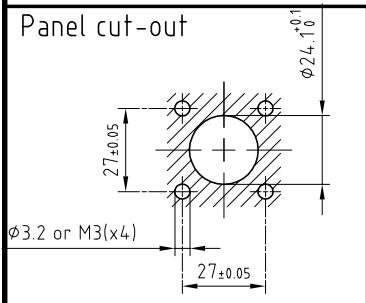


Outer shell	: Stainless steel (AISI304)	-
Insulator	: PEEK	-
Female contact	: Bronze (UNS C54400)	Gold plated (ISO 27874)
Spring	: Stainless steel	-
Other metallic parts	: Stainless steel (AISI304L) or (AISI304)	-
O-rings	: EPDM	-
Marking strip	: Epoxy paint	Black



**Straight socket with square flange with lever ,
4 screws fixing .
Series 3N , multipole (6)**

ETUDE N° E9362-E2260

Echelle —	Dessiné	19.05.2014	OVU /JPBA
	Contrôle	19.05.2014	JPBA/ATVI
	Modif.	00	19.05.2014/ OVU



EDY.3N.306.TLL