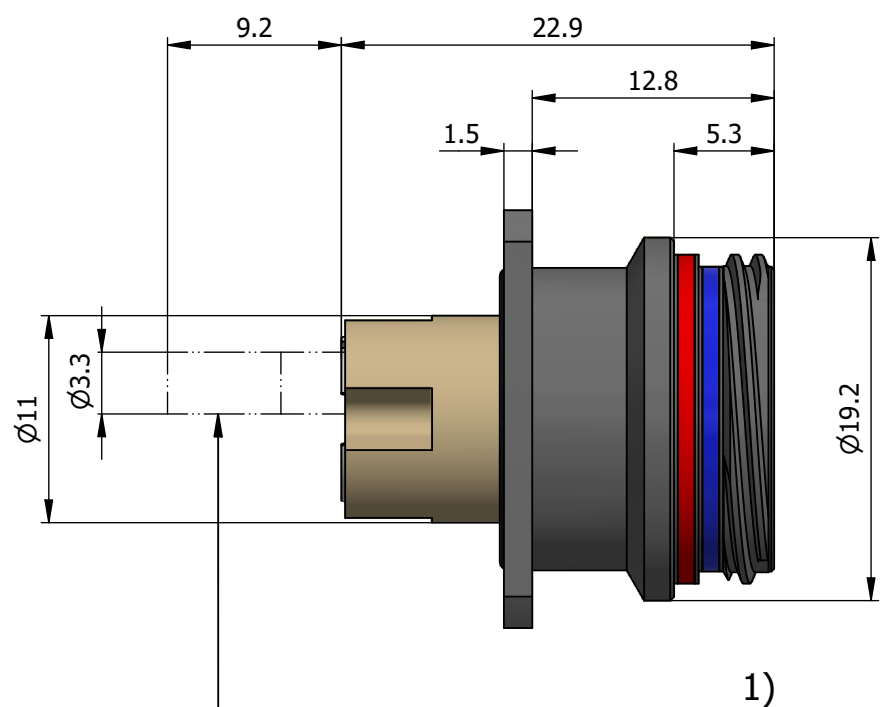
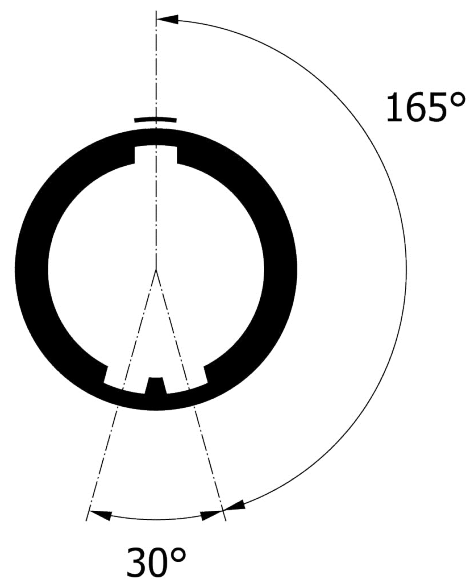
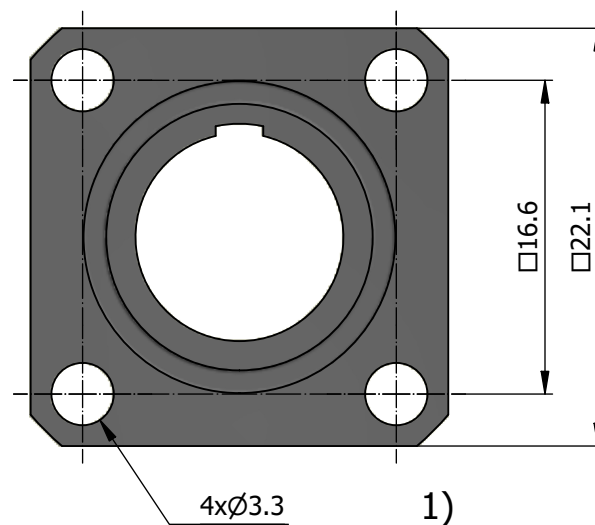


All dimensions are in millimeters (mm)

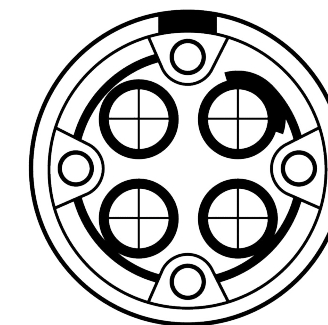
Alignment Key  
Front View



Shell Dimensions

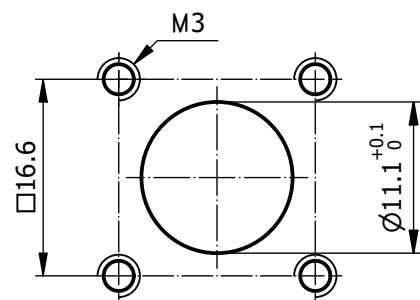


Insert Configuration  
Rear View



F7 Fiber optic contact has to be ordered separately

Recommended Panel Cut-Out



Mounting nut torque (Nm)  
Metal shell = 2.5

**Note:**

1) This picture is generic and for illustrative purposes only, and may show different keying, materials, colour, finish, and contact configuration. Minor shape or feature variations to actual item may be present.

All additional information are documented on the datasheet (See below link or QR Code)  
[www.lemo.com/pdf/EDN.3M.95B.XLM.pdf](http://www.lemo.com/pdf/EDN.3M.95B.XLM.pdf)

Model Alignment Key Series Insert Config. Housing Insulator Contact Variant  
**EDN.3M.95B.XLM**

Datasheet



**Fixed socket with square flange**

Series 3M

**LEMO**  
LEMO SA  
Chemin des Champs-Courbes 28  
1024 Ecublens - SWITZERLAND

Tel. (+41) 21 695 16 00  
email : [info@lemo.com](mailto:info@lemo.com)  
[www.lemo.com](http://www.lemo.com)

CD

Drawn	28.11.2023	MARI / MARI
Checked	28.11.2023	OBAR
Modified	00	28.11.2023 / MARI
DO NOT SCALE DRAWING		

**EDN.3M.95B.XLM**