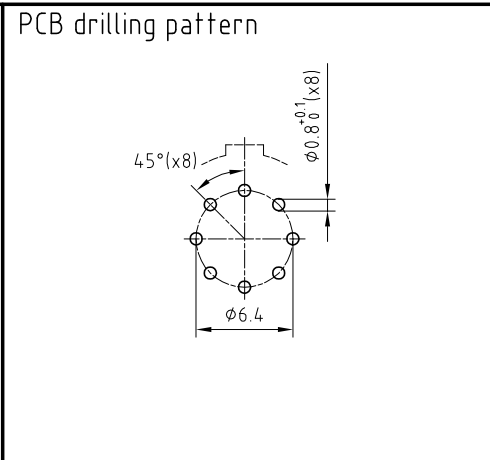
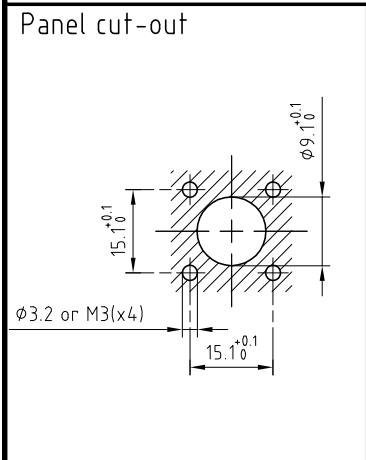


Outer shell	: Aluminium (AA 6262A) or (AA 6023)	Anthracite nickel
Earthing crown	: Bronze (UNS C54400)	Gold plated (ISO 4523)
Insulator	: PEEK	-
Female contact	: Bronze (UNS C54400)	Gold plated (ISO 4523)
O-rings	: Viton (FPM)	-



-			
---	--	--	--

**Fixed socket , square flange , with keys (N) ,
4 holes fixing , for PCB .
Series 2M , multipole (8)**

ETUDE N° E6362

Echelle —	Dessiné	29.10.2012	OVU /JPBA
	Contrôle	29.10.2012	JPBA/ATVI
	Modif.	00	29.10.2012/ OVU